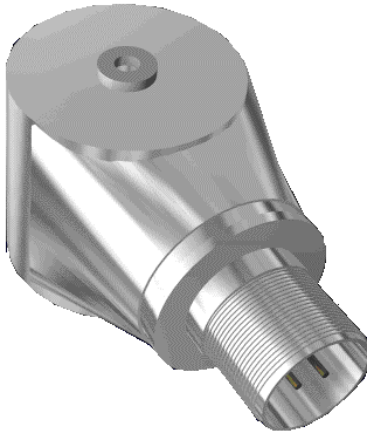


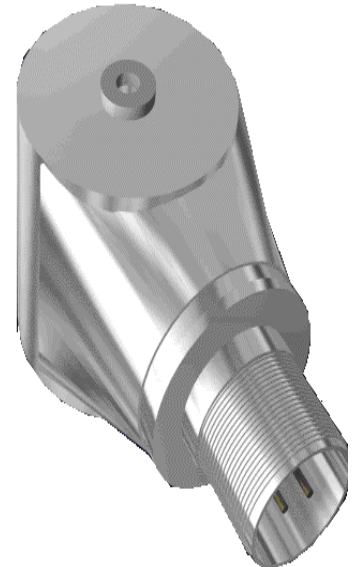
# Wilcoxon Research Vibration Product Training

## Accelerometer Products and Specifications

# Accelerometer Selection Considerations



- Machine Speed
- Max/Min Vibration Level
- Full Frequency Range
- Size/Weight Limitations
- Temperature Range
- Chemical Environment
- Electrical Environment
- Future Sensing Needs



# Standard Sensors & New Products

## Coming Soon

### TM Series Micro-Mini Accelerometers



SNAP™ The most compact low priced sensor in the industry.



787A Low Cost, Low Profile Accelerometer



732A High Frequency Accelerometer



786A General Purpose Accelerometer



799LF & 799M Low Frequency Accelerometer



731A Ultra-Low Frequency Accelerometer

# Dynamic Selection

## ■ 793/797/786A/787A Accelerometers

- 100 mV/g
- Wide Frequency Range

## ■ 793L, 797L, 799LF Low Freq.

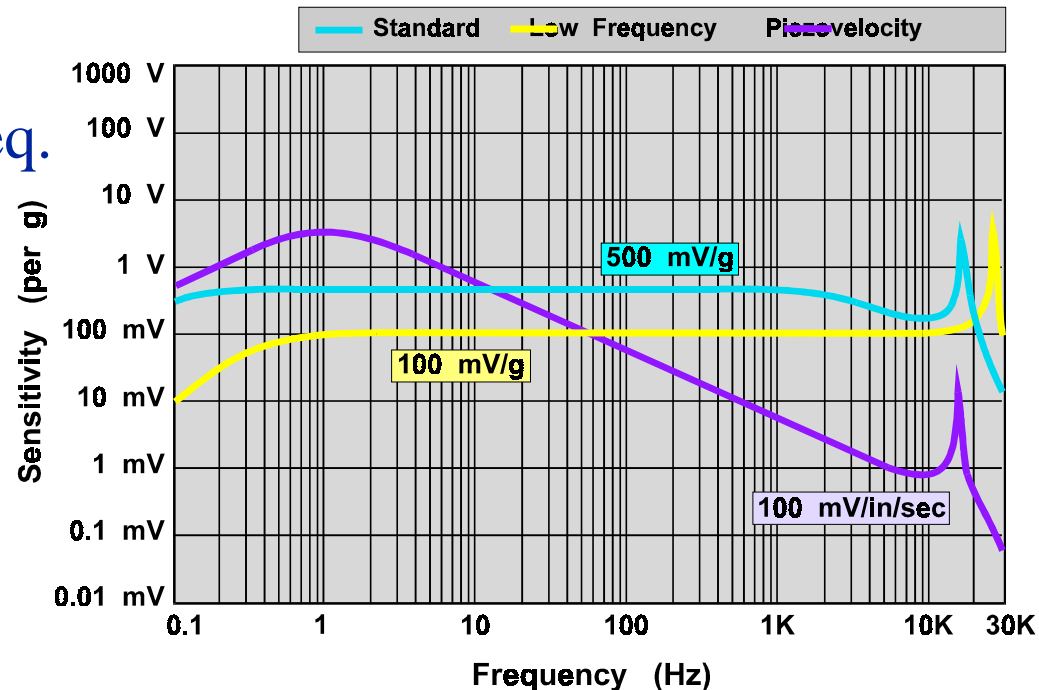
- 500 mV/g
- Very Low Noise

## ■ 793V/797V Velocity

- High Output
- HF Attenuation

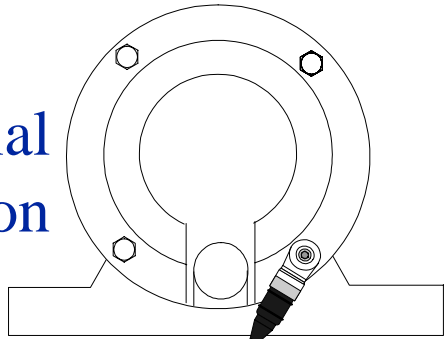
## ■ 732A/732AT High Freq.

- 10 mV/g
- Very High Frequencies

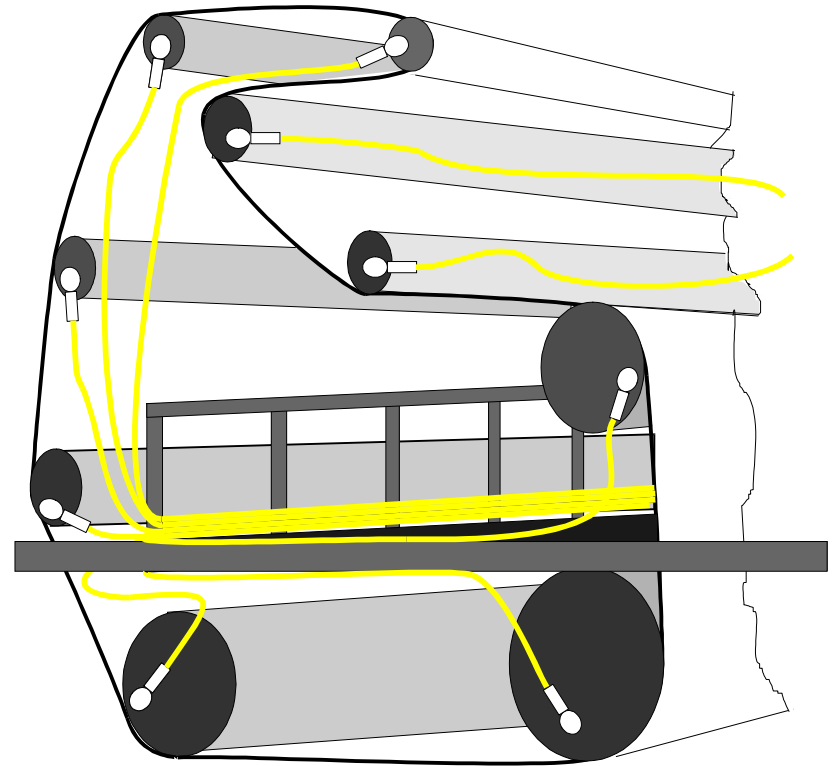
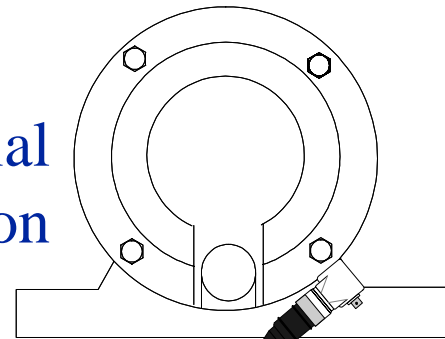


# 797 in Paper Machine Applications

Axial  
Position

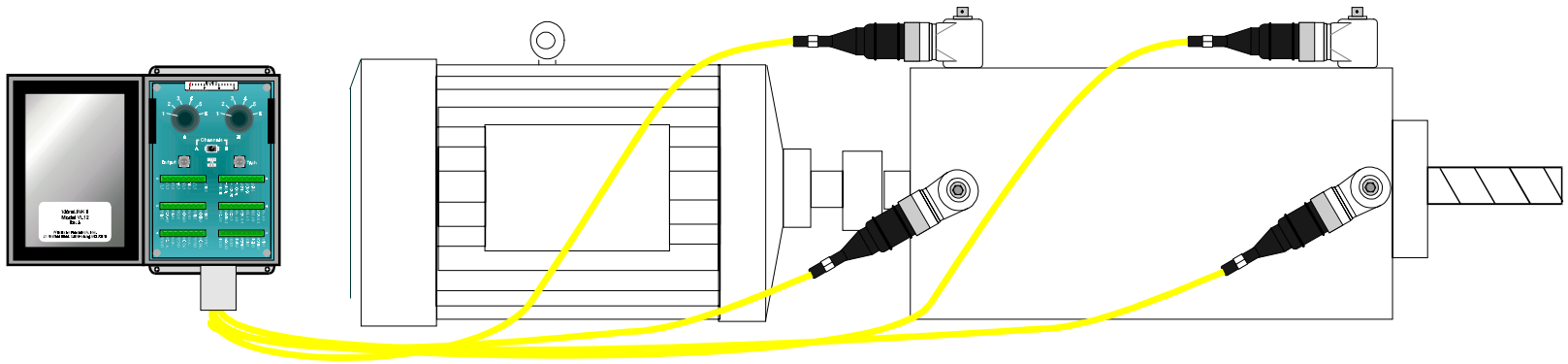


Radial  
Position



Route cables inside of felt for inner rolls; outside of felt for outer rolls

Full box spindle installation with cables routed into a switch box



Low profile sensors are used to clear splash guards

# Low Frequency Applications

## ■ Low Frequency

< 10 Hz (600 cpm)

- Low Speed Machine Tools
- Cooling Towers
- Paper Machine Rolls
- Yankee Dryers
- Hydro-Turbines

797L



799LF

799M



## ■ Very Low Frequency

< 1 Hz (60 cpm)

- Slow Speed Agitators
- Repetative Gear Tooth Faults
- Pump Surge Conditions
- Building / Bridge Motion
- Earthquake Studies

731A



# 799LF and 799M

**NEW**

“The Industrial Low Frequency Accelerometers”

799LF provides standardized 500 mV/g sensitivity

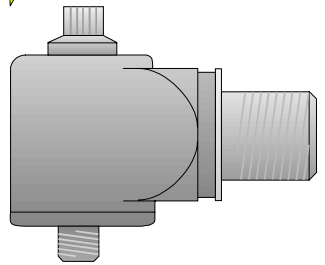
799M provides 1000 mV/g sensitivity to overcome analyzer noise.



- Low Noise / Low Frequency
- Fast Turn-on Time for use with Multiplexed Systems and Manual Switch Boxes
- Fast shock recovery for use with magnetic mounting pads
- High Frequency Attenuation and Overload recovery circuitry for distortion-free measurements
- Electromagnetic radiation shielding and rejection circuitry for use near high-field equipment
- Low bias voltage for use with most portable data collectors



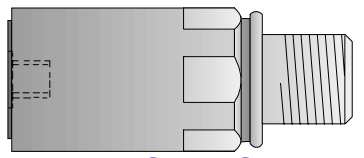
# 797T-1, 797LT & 793T-3 Temperature Sensing Accelerometers



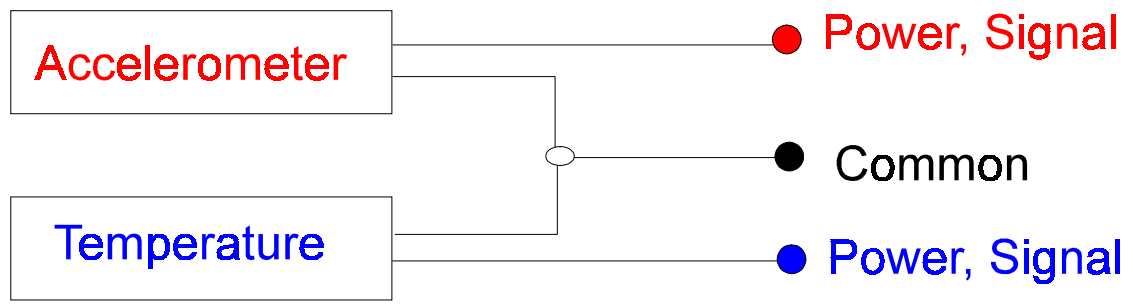
797T-1 & 797LT



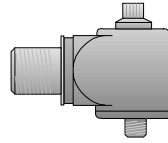
R6GSLI-0-J9T3A-16



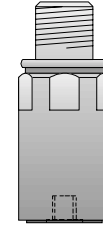
793T-3



797T-1



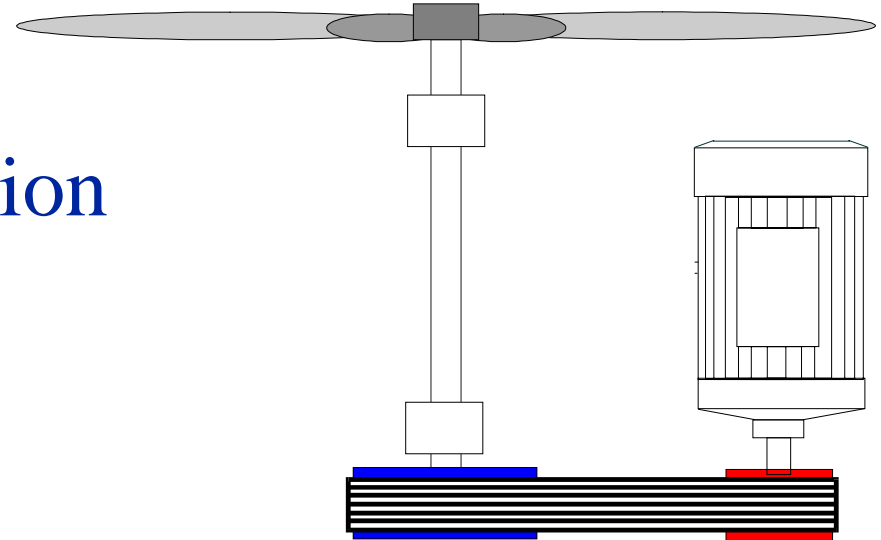
& 793T-3



Applications

Dynamic Force => Vibration

Static Force => Heat



Belted Drives

Lubrication Condition

Process Temperature Changes

Heating / Cooling Equipment monitoring