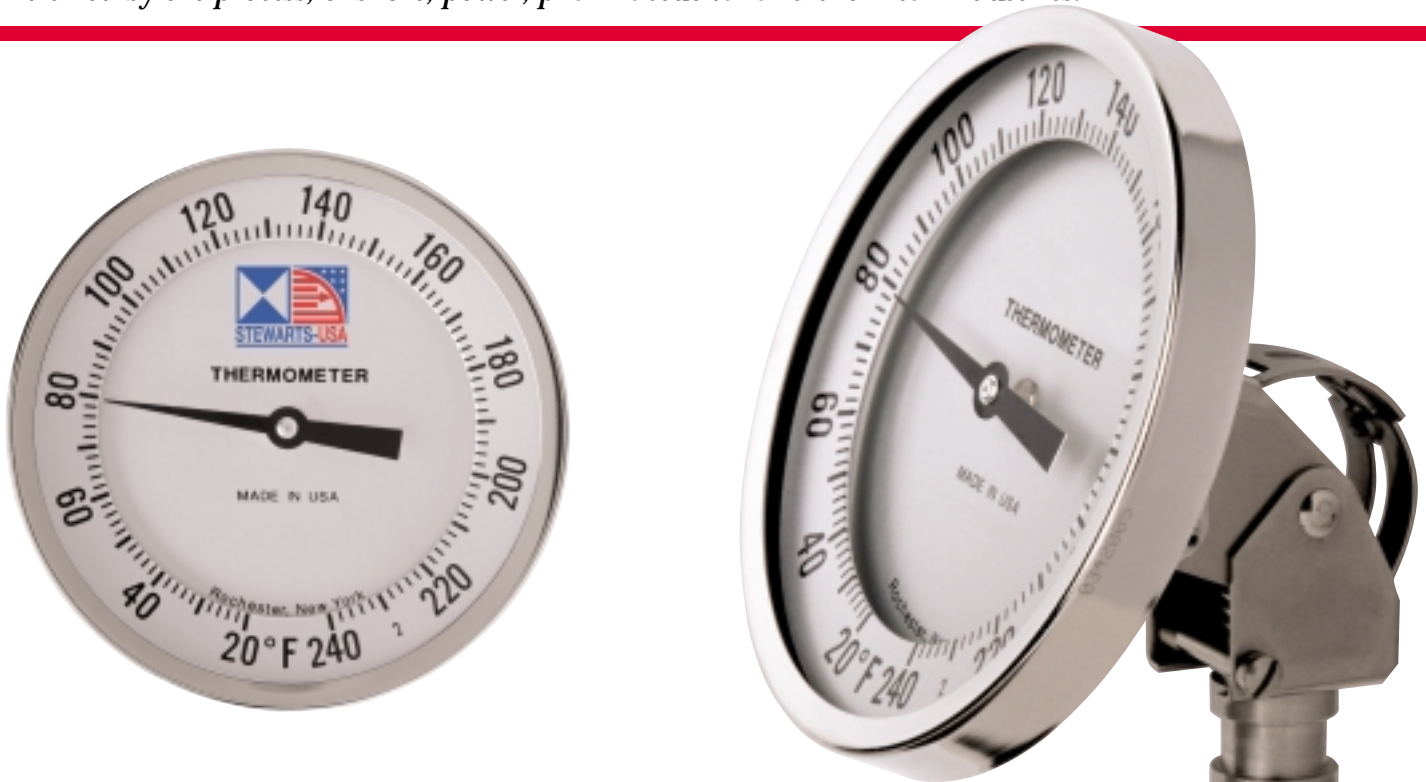


3", 4" and 5" Adjustable Angle Industrial Thermometers

- Maximum utility for installation
- Head can be rotated 360°
- Stem positioning over 180°

Heavy Duty design, with versatile case and stem that can be adjusted to almost any angle for easy viewing. Preferred by the process, offshore, power, pharmaceutical and chemical industries.



➤ MODEL CODES:

| | |
|--------------|---|
| S4110 | 3" diameter head with calibration feature |
| S4210 | 5" diameter head with calibration feature |

➤ SPECIFICATIONS:

| | |
|--------------------------|--|
| Stem Lengths: | 2½", 4", 6", 9", 12", 15", 18" and 24" (available up to 120"). |
| Stem Diameter: | .250" standard up to 42" stem. .375" standard over 42" stem. |
| Connection: | ½" NPT. |
| External Reset: | Easy to calibrate by inserting 1/16" Allen wrench into reset opening. |
| Construction: | 304 stainless steel external parts. Welded construction. Corrosion resistant to most chemicals. |
| Hermetic seal: | Per ASME B40.3 dustproof and leakproof. |
| Harness: | All stainless steel brackets with screws that loosen to allow 360° rotation of head and 180° adjustment of stem position. |
| Bellows: | Heavy-duty flexible stainless steel. Hermetically sealed at case and connection. Protects mechanism that transfers temperature change from bimetal coil to pointer. |
| Dial: | True Anti-Parallax dial, easy-to-read from any angle, minimizes reading errors. Anodized aluminum with large black numbers and graduations. |
| Lens: | Glass. |
| Bimetal Coil: | Helix coil is silicone coated on ranges below 500°F for vibration dampening and to maximize heat transfer and response time. |
| Accuracy: | ±1% full span per ASME B40.3 Grade A. Adjustment of the angle between case and stem may affect accuracy up to 0.5% of span (ASME B40.3). |
| Over Temperature Limits: | Up to 250°F 100%; 250°F to 550°F, 50%; 550°F to 1000°F, continuous use up to 800°F, intermittent use over 800°F. |



➤ STANDARD RANGES:

| Stem Length | Length Code | Temp. Code | Dual | |
|-------------|-------------|------------|------------|-----------|
| | | | Fahrenheit | Celsius |
| 2.5" | 02 | 02 | -40/160 | -40/70 |
| 4" | 04 | 17 | 0/200 | -10/90 |
| 6" | 06 | 14 | 0/250 | -20/120 |
| 9" | 09 | 07 | 50/300 | 10/150 |
| 12" | 12 | 09 | 50/550 | 15/285 |
| 15" | 15 | 10 | 150/750 | 50/400 |
| 18" | 18 | 11 | * 200/1000 | * 100/550 |
| 24" | 24 | | | |

+24" Call for Quote

(Additional Ranges Available – Consult factory)

* Thermometers with temperature ranges 200/1000°F and 100/550°C are NOT RECOMMENDED FOR CONTINUOUS USE ABOVE 800°F/425°C (FOR INTERMITTENT USE ONLY).

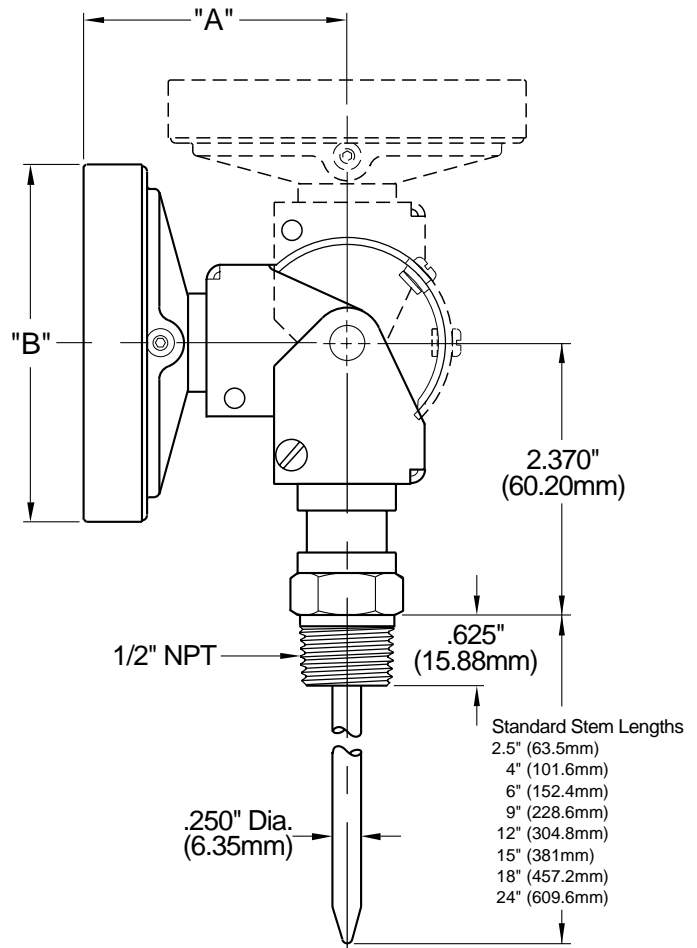
➤ OPTIONS:

- Union connection or other connection types and sizes.
- Silicone filled.
- Other lenses are acrylic, polycarbonate, shatterproof glass or tempered glass.
- Other stem diameters .236" (6mm), .315" (8mm), .375" (9.52mm).
- 316SS wetted parts.
- Other configuration combinations available upon request.

| Estimated Shipping Weights | | |
|----------------------------|--------------------|-----------------|
| MODEL | DRY | SILICONE FILLED |
| S4110 . . . | 1lb. | 1lb. 3oz. |
| S4210 . . . | 1lb. 12oz. | 2lb. 6oz. |

| MODEL | "A" | "B" |
|-------|------------------|-------------------|
| S4110 | 2.430" (61.72mm) | 3.187" (80.95mm) |
| S4210 | 2.660" (67.56mm) | 5.040" (128.02mm) |

➤ S4110 & S4210



➤ ORDERING:

- 1) Select Model (S4110 3", S4210 5")
 - 2) Select Stem length Code
 - 3) Select Temperature Range Code
- Example: S4210-06-10= 5" Face, Adjustable, 6" Stem, 150-750F/50-400C

➤ IMPORTANT NOTES:

- 1) Thermowells are recommended for pressure, corrosive fluid or high velocity applications.
- 2) ASME B40.3— Bimetal thermometers manufactured by Stewarts-USA and offered in this brochure are designed to meet or exceed this Standard issued by the American Society of Mechanical Engineers.

3" and 5" Back Connected Industrial Thermometers

A rugged 90° back angle, rear threaded connection design. Commonly used in industrial, pulp and paper, food and beverage processing, HVAC, and OEM applications.

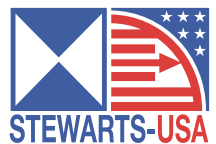


➤ MODEL CODES:

S3310 3" diameter head
S3710 5" diameter head

➤ SPECIFICATIONS:

| | |
|--------------------------|--|
| Stem Lengths: | 2½", 4", 6", 9", 12", 15", 18" and 24" (available up to 120"). |
| Stem Diameter: | .250" standard up to 42" stem. .375" standard over 42" stem. |
| Connection: | ½" NPT. |
| External Reset: | Optional models with calibration feature are easy to calibrate by inserting ⅛" Allen wrench into reset opening. |
| Min/Max Dial: | Optional. |
| Construction: | 304 stainless steel external parts. Welded construction. Corrosion resistant to most chemicals. |
| Hermetic seal: | Per ASME B40.3 dustproof and leakproof. |
| Dial: | True Anti-Parallax dial, easy-to-read from any angle, minimizes reading errors. Anodized aluminum with large black numbers and graduations. |
| Lens: | Glass. |
| Bimetal Coil: | Helix coil is silicone coated on ranges below 500°F for vibration dampening and to maximize heat transfer and response time. |
| Accuracy: | ±1% full span per ASME B40.3 Grade A. When using maximum or minimum temperature indicator, accurate to within 1½% full span. |
| Over Temperature Limits: | Up to 250°F 100%; 250°F to 550°F, 50%; 550°F to 1000°F, continuous use up to 800°F, intermittent use over 800°F. |



➤ STANDARD RANGES:

| Stem Length | Length Code | Temp. Code | Dual Fahrenheit | Celsius |
|-------------|-------------|------------|-----------------|-----------|
| 2.5" | 02 | 02 | -40/160 | -40/70 |
| 4" | 04 | 17 | 0/200 | -10/90 |
| 6" | 06 | 14 | 0/250 | -20/120 |
| 9" | 09 | 07 | 50/300 | 10/150 |
| 12" | 12 | 09 | 50/550 | 15/285 |
| 15" | 15 | 10 | 150/750 | 50/400 |
| 18" | 18 | 11 | * 200/1000 | * 100/550 |
| 24" | 24 | | | |

+24" Call for Quote

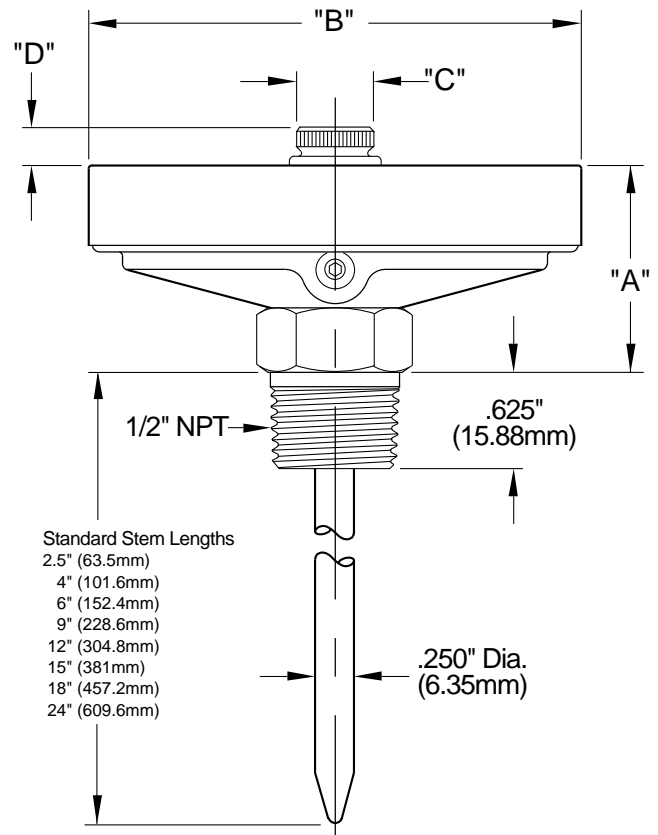
(Additional Ranges Available – Consult factory)

* Thermometers with temperature ranges 200/1000°F and 100/550°C are NOT RECOMMENDED FOR CONTINUOUS USE ABOVE 800°F/425°C (FOR INTERMITTENT USE ONLY).

➤ OPTIONS:

- Union connection or other connection types and sizes.
- Silicone filled.
- Other lenses are acrylic, polycarbonate, shatterproof glass or tempered glass.
- Other stem diameters .236" (6mm), .315" (8mm), .375" (9.52mm).
- 316SS wetted parts.
- Other configuration combinations available upon request.
- Some ranges NSF® certified.

➤ S3310 & S3710



| MODEL | Estimated Shipping Weights | |
|-------------|----------------------------|-----------------|
| | DRY | SILICONE FILLED |
| S3310 . . . | 11oz. | 14oz. |
| S3710 . . . | 1lb. 4oz. | 1lb. 14oz. |

| MODEL | "A" | "B" |
|-------|------------------|-------------------|
| S3310 | 1.375" (34.93mm) | 3.187" (80.95mm) |
| S3710 | 1.718" (43.63mm) | 5.040" (128.02mm) |

➤ ORDERING:

- 1) Select Model (S3310 for 3" dial or S3710 for 5" dial)
- 2) Select Stem length Code
- 3) Select Temperature Range Code

Example: S3310-02-14= 3" Face, straight back, 2.5" Stem, 0-250F/-20-120C

➤ IMPORTANT NOTES:

- 1) Thermowells are recommended for pressure, corrosive fluid or high velocity applications.
- 2) ASME B40.3— Bimetal thermometers manufactured by Stewarts-USA and offered in this brochure are designed to meet or exceed this Standard issued by the American Society of Mechanical Engineers.