

# All Stainless Steel Utility Gauges

## 1.5" Model - 10S (1/8" - 1/4 NPT")



### Dry, Liquid Ffillable or Pre-Filled.

Case Relief Grommet.  
White Aluminium Dial, Black figures.  
Black Aluminium Pointer.  
316 Stainless Steel Wetted Parts.  
304 Stainless Steel Case & Crimped Ring.

**ACCURACY**  
3-2.3% (ASME B40.1 Grade B).

**SCALE**  
Triple Scale  
PSI / BAR / KPA

**LENS**  
Polycarbonate.  
Acrylic (on CB Non Ffillable)

### MOUNTING TYPES

No. Code: Bottom Connection  
CB: Center Back Connection, (Fillable & Non Ffillable)  
C: C-Clamp Fixing for Panel Mounting.  
FP: Front Flange for Panel Mounting.

Range Code	Range (psi)	Range Code	Range (psi)
V30	30"Hg-0 Vacuum	300	0-300
R315	Receiver 3-15	400	0-400
C15	30"Hg-0-15	600	0-600
C30	30"Hg-0-30	800	0-800
C60	30"Hg-0-60	1K	0-1,000
C100	30"Hg-0-100	1500	0-1,500
C160	30"Hg-0-160	2K	0-2,000
C200	30"Hg-0-200	3K	0-3,000
C300	30"Hg-0-300	4K	0-4,000
15	0-15	5K	0-5,000
30	0-30	6K	0-6,000
60	0-60	10K	0-10,000
100	0-100	15K	0-15,000
160	0-160		
200	0-200		

### HOW TO ORDER BY PART NUMBER.

- 1 Model Number: (10S)
- 2 Choose Pressure Range (code).
- 3 Choose Mounting Type (code).
- 4 Liquid filling, if desired: **GF=Glycerin**.

### FOR EXAMPLE: 10S-30-CB

1.1/2 inch Non Ffillable 316 Stainless Steel Gauge,  
1/8 inch NPT.  
0-30 psi range.  
Center Back Mount.  
Add 1/4 if you require 10S with 1/4" NPT  
(this is non standard).

1-Model	2-Range Code	3-Mounting Type	4-Filling Type
10S	30	CB	Non Ffillable

We manufacture a wide range of instruments to customer's special requirements  
We shall be pleased to discuss and advise on your specifications.

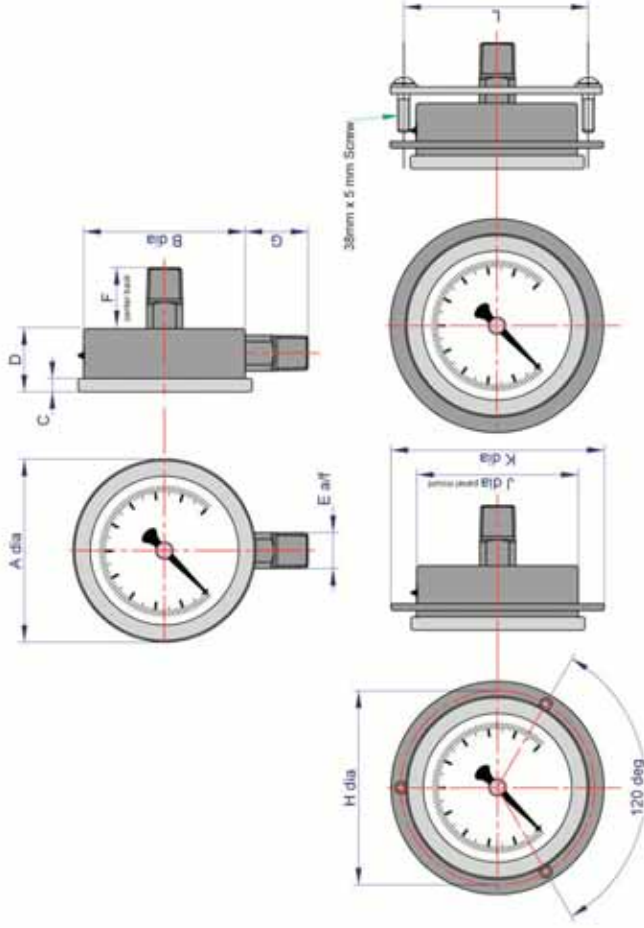
Specifications and dimensions given in this leaflet represent the state of engineering at the time of printing.  
Engineering modifications may take place without prior notice.

# All Stainless Steel Utility Gauges

## 1.5" Model - 10S (1/8" - 1/4 NPT")

### Standard Direct Mounted (Bottom Vertical)

CB: Center Back Connection  
Also available Non Ffillable with smaller dia bezel  
(See Dims Chart)



### FP: Front Flange for Panel Mounting

### C: Clamp Fixing for Panel Mounting

Dims	A	B	C	D	E	F	G	H	J	K	L	Hole Size
38mm	46.5	41.0	4.5	25.5	12.5	20.0	17.0		43.0	62.3	48.2	44.5
1.5m	1.83	1.61	0.18	1.0	0.49	0.79	0.67		1.69	2.45	1.9	1.75
Non Ffillable	42.0	41.0	8.0	24.0	11.0	16.0						
Center Back	1.65	1.61	0.31	0.94	0.43	0.63						

38mm  
1.5m  
Non Ffillable  
Center Back



# Stainless Steel Case Brass Internal Utility Gauges

- 1.5" Model - 11B (1/8 - 1/4" NPT)
- 2" Model - 33B (1/8 - 1/4" NPT)
- 2.5" Model - 24B (1/4" NPT)

**CASE**  
Stainless Steel Case, Dry, Non-fillable  
Stainless Steel Crimped Bezel

**INTERNALS and WETTED PARTS**  
Brass Socket  
Bronze Tube  
Brass Movement

**ACCURACY**  
3%-2% -3% (ASME B40.1 Grade B)

**SCALE**  
Triple Scale  
PSI / BAR / KPA

**MOUNTING TYPES**  
**No Code:** Bottom Connection  
**CB:** Center Back Connection  
**FP:** Front Flange for Panel Mounting  
**C:** C-Clamp Fixing for Panel Mounting

### RANGE SELECTION

Range Code	Range (psi)	Range Code	Range (psi)
V30	30"Hg - 0 Vacuum	300	0-300
R315	Receiver 3-15	400	0-400
C15	30"Hg -0- 15	600	0-600
C30	30"Hg -0- 30	800	0-800
C60	30"Hg -0- 60	1K	0-1,000
C100	30"Hg -0- 100	1500	0-1,500
C160	30"Hg -0- 160	2K	0-2,000
C200	30"Hg -0- 200	3K	0-3,000
C300	30"Hg -0- 300	5K	0-5,000
15	0-15	6K	0-6,000
30	0-30	10K	0-10,000
60	0-60		
100	0-100		
160	0-160		
200	0-200		

### NPT Thread Size Code

1.5" (Model 11B) 1/8" NPT is Standard. (Add -1/4 code for 1/4 inch NPT)  
2" (Model 33B) 1/4" NPT is Standard. (Add -1/8 code for 1/8 inch NPT)

### HOW TO ORDER BY PART NUMBER

- 1 Model Number (11B, 33B, or 24B)
- 2 Choose Pressure Range (code)
- 3 Choose Mounting Type (code) (bottom connection is standard, no code needed)
- 4 NPT Thread Size Code (see above)  
(Note: This model is non-fillable)

### FOR EXAMPLE: 11B-V30

1.5 inch dial, Stainless Steel Case, Brass Wetted Parts  
Vacuum 30 Hg - 0  
Standard Bottom connection, 1/8" NPT

1-Model	2-Range Code	3-Mounting Type	4-Thread Size
11B	V30		

We manufacture a wide range of instruments to customer's special requirements  
We shall be pleased to discuss and advise on your specifications.

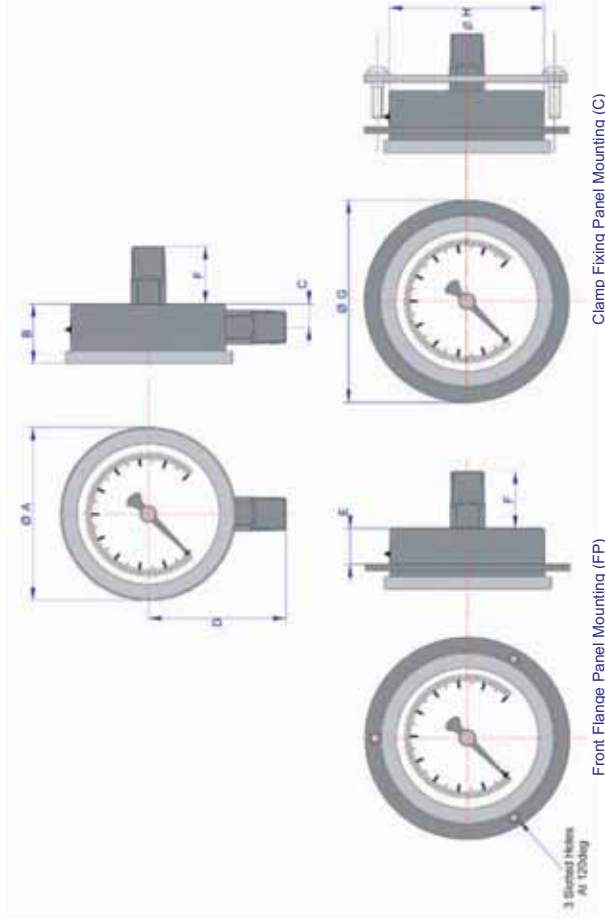
Specifications and dimensions given in this leaflet represent the state of engineering at the time of printing.  
Engineering modifications may take place without prior notice.

1-B53924E2050325

# Stainless Steel Case Brass Internal Utility Gauges

- 1.5" Model-11B (1/8" NPT standard - 1/4" NPT special)
- 2" Model-33B (1/8" NPT available - 1/4" NPT standard)
- 2.5" Model-24B (1/4"NPT)

Direct Mounting (Standard) or Center Back (CB)



(\*F" DIMENSIONS INDICATE STANDARD NPT FOR MODEL)

	A	B	C	D	E	F	G	H	Cut Out
Dims	42	23.5	9	37.5	18.5	13	61.5	41.5	44.5
(11B)	38mm	1.65	0.93	1.48	0.73	0.51	2.42	1.63	1.75
(33B)	50mm	2.07	1.14	45.5	22	20.5	73	51.5	55
(24B)	63mm	2.48	1.14	51	22.7	17.5	87	63	67
	2.5in			2.00	0.89	0.69	3.43	2.48	2.64

Before use please consult our recommendation regarding selection and installation or consult ASME B40.100



**STEWARTS-USA**  
6786 Tipperary  
Houston, TX 77061 U.S.A.  
(713) 643 - 1022  
(713) 643 - 2855 Fax  
(800) 901 - 1316

www.stewartsusa.com



# Black Steel Case Brass Internal Utility Gauges

- 1.5" Model - 12B (1/8 - 1/4" NPT)
- 2" Model - 34B (1/8 - 1/4" NPT)
- 2.5" Model - 25B (1/4" NPT)

**CASE**  
Black Steel Case with  
Snap On Acrylic Lens

**INTERNALS and WETTED PARTS**

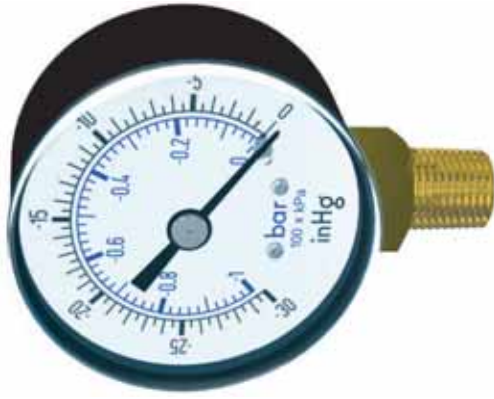
Brass Socket  
Bronze Tube  
Brass Movement

**ACCURACY**  
3%-2%,-3% (ASME B40.1 Grade B)

**SCALE**  
Triple Scale  
PSI / BAR / KPA.

**MOUNTING TYPES**

**No Code:** Bottom connection  
**CB:** Center Back Connection  
**FP:** Front Flange for Panel Mounting  
**C:** C-Clamp Fixing for Panel Mounting



**Part Number:** 12B-V30  
To order other models  
by part number, see below.

**RANGE SELECTION**

Range Code	Range (psi)	Range Code	Range (psi)
V30	30"Hg - 0 Vacuum	300	0-300
R315	Receiver 3-15	400	0-400
C15	30"Hg -0-15	600	0-600
C30	30"Hg -0-30	800	0-800
C60	30"Hg -0-60	1K	0-1,000
C100	30"Hg -0-100	1500	0-1,500
C160	30"Hg -0-160	2K	0-2,000
C200	30"Hg -0-200	3K	0-3,000
C300	30"Hg -0-300	5K	0-5,000
15	0-15	6K	0-6,000
30	0-30	10K	0-10,000
60	0-60		
100	0-100		
160	0-160		
200	0-200		

**NPT Thread Size Code**

1.5" (Model 12B) 1/8" NPT is standard. (Add -114 code for 1/4 inch NPT)  
2" (Model 34B) 1/4" NPT is standard. (Add -118 code for 1/8 inch NPT)

**HOW TO ORDER BY PART NUMBER**

- 1 Model Number (12B, 34B, or 25B)
- 2 Choose Pressure Range (code)
- 3 Choose Mounting Type (code) (bottom connect is standard, no code needed)
- 4 NPT Thread Size Code (see above)

**FOR EXAMPLE (AS SHOWN) 12B-V30**  
1.5 inch dial Black Steel Case, Brass Internals  
Vacuum, 30"Hg - 0  
Standard bottom connection, 1/8" NPT

1-Model	2-Range Code	3-Mounting Type	4-Thread Size
12B	V30		

We manufacture a wide range of instruments to customer's special requirements  
We shall be pleased to discuss and advise on your specifications.

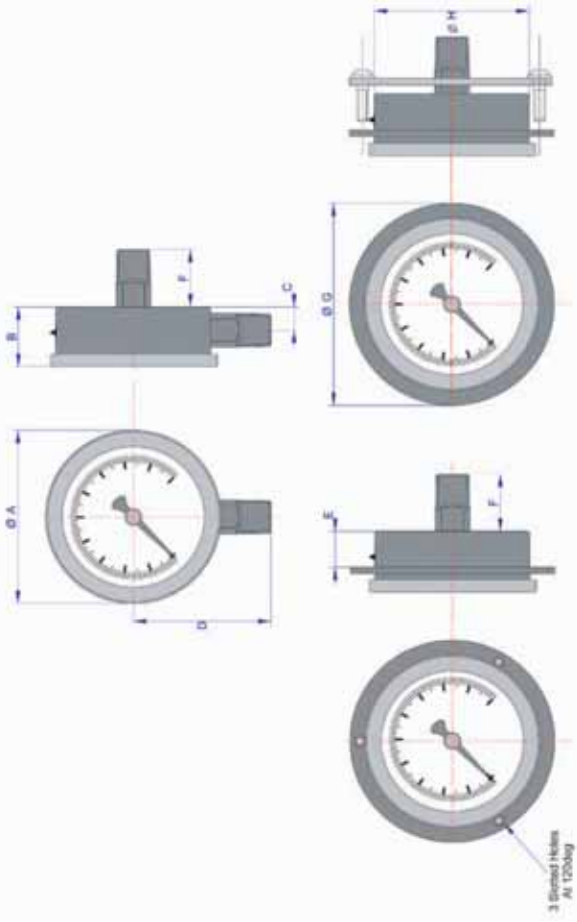
Specifications and dimensions given in this leaflet represent the state of engineering at the time of printing.  
Engineering modifications may take place without prior notice.

12B34B25B2062025

# Black Steel Case Brass Internal Utility Gauges

- 1.5" Model-12B (1/8" NPT standard - 1/4" NPT special)
- 2" Model-34B (1/8" NPT available - 1/4" NPT standard)
- 2.5" Model-25B (1/4" NPT)

Direct Mounting (Standard) or Center Back (CB)



Front Flange Panel Mounting (FP)

Clamp Fixing Panel Mounting (C)

(\*F" DIMENSIONS INDICATE STANDARD NPT FOR MODEL)

Dims	A	B	C	D	E	F	G	H	Cut Out
(12B) 38mm	42	23.5	9	37.5	18.5	13	61.5	41.5	44.5
	1.65	0.93	0.35	1.48	0.73	0.51	2.42	1.63	1.75
(34B) 50mm	52.5	29	10	45.5	22	20.5	73	51.5	55
	2.07	1.14	0.39	1.79	0.87	0.81	2.83	2.03	2.17
	63	29	10	51	22.7	17.5	87	63	67
(25B) 63mm	63	29	10	51	22.7	17.5	87	63	67
	2.48	1.14	0.39	2.00	0.89	0.69	3.43	2.48	2.64

Before use, please consult our recommendation regarding selection and installation or consult ASME B40.100



**STEWARTS-USA**  
6786 Tipperary  
Houston, TX 77061 U.S.A.  
713-643-1022  
713-643-2855 Fax  
800-901-1316  
www.stewartsusa.com



# Stainless Steel Case Glycerin Filled Brass Internal Utility Gauges

- 1.5" Model - 13B (1/8 - 1/4" NPT)
- 2" Model - 32B (1/8 - 1/4" NPT)
- 2.5" Model - 23B (1/4" NPT)

**CASE**  
Stainless Steel Case,  
Stainless Steel Crimped Ring

**INTERNALS and WETTED PARTS**  
Brass Socket  
Bronze Tube  
Brass Movement

**ACCURACY**  
3%-2%-3% (ASME B40.1 Grade B)

**SCALE**  
Triple Scale  
PSI / BAR / KPA

**MOUNTING TYPES**  
**No Code:** Bottom Connection  
**CB:** Center Back Connection  
**C:** C-Clamp Fixing for Panel Mounting  
**FP:** Front Flange for Panel Mounting



**Model:** 13B-V30  
To order other models  
by part number, see below

**RANGE SELECTION**

Range Code	Range (psi)	Range Code	Range (psi)
V30	30"Hg - 0 Vacuum	300	0-300
R315	Receiver 3-15	400	0-400
C15	30"Hg -0-15	600	0-600
C30	30"Hg -0-30	800	0-800
C60	30"Hg -0-60	1K	0-1,000
C100	30"Hg -0-100	1500	0-1,500
C160	30"Hg -0-160	2K	0-2,000
C200	30"Hg -0-200	3K	0-3,000
C300	30"Hg -0-300	5K	0-5,000
15	0-15	6K	0-6,000
30	0-30	10K	0-10,000
60	0-60		
100	0-100		
160	0-160		
200	0-200		

**NPT Thread Size Code**  
1.5" (Model 13B) 1/8" NPT is standard. (Add -1/4 code for 1/4 inch NPT)  
2" (Model 32B) 1/4" NPT is standard. (Add -1/8 code for 1/8 inch NPT)

**HOW TO ORDER BY PART NUMBER**

1. Choose **Model Number** (13B, 32B, or 23B)
2. Choose **Pressure Range** (code)
3. Choose **Mounting Type** (code)
4. **NPT Thread Size Code** (see table)

(Note: These models come pre-filled with Glycerin only)

**FOR EXAMPLE: 13B-V30**

1.5 inch, Stainless Steel Case, Brass Internals  
Vacuum 30"Hg - 0  
Standard Bottom Connection, 1/8" NPT  
Glycerin Filled (Standard) - No Fill code needed

1-Model	2-Range Code	3-Mounting Type	4-Thread Size
13B		V30	

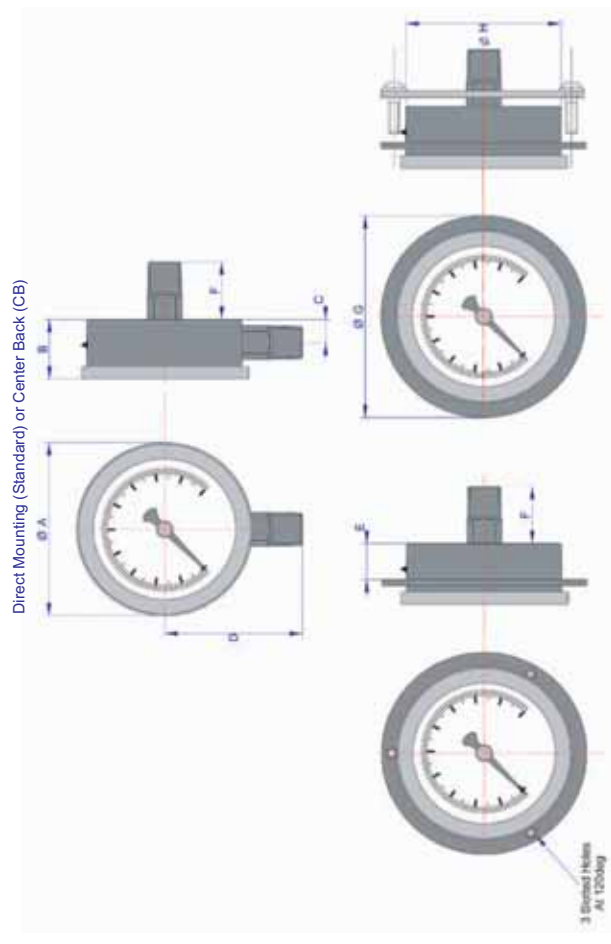
We manufacture a wide range of instruments to customer's special requirements. We shall be pleased to discuss and advise on your specifications.

Specifications and dimensions given in this leaflet represent the state of engineering at the time of printing. Engineering modifications may take place without prior notice.

13B2B2B2B2009025

# Stainless Steel Case Glycerin Filled Brass Internal Utility Gauges

- 1.5" Model-13B (1/8 - 1/4"NPT)
- 2" Model-32B (1/8 - 1/4"NPT)
- 2.5" Model-23B (1/4"NPT)



Front Flange Panel Mounting (FP)

Clamp Fixing Panel Mounting (C)

Dims	A	B	C	D	E	F	G	H	Cut Out
(13B) 38mm	45.5	25.5	9	37.5	18.5	14	61.5	42.5	44.5
	1.79	1.00	0.35	1.48	0.73	0.55	2.42	1.63	1.75
(32B) 50mm	56	29	10	45.5	22	23.5	73	53	55
	2.20	1.14	0.39	1.79	0.87	0.93	2.83	2.03	2.17
(23B) 63mm	66.5	29	10	51	22.7	23.5	87	65	67
	2.62	1.14	0.39	2.00	0.89	0.93	3.43	2.48	2.64

Before use please consult our recommendation regarding selection and installation or consult ASME B40.100



**STEWARTS-USA**  
6786 Tipperary  
Houston, TX 77061 U.S.A.  
(713) 643-1022  
(713) 643-2855 Fax  
(800) 901-1316  
www.stewartsusa.com

# Heavy Duty, Brass Internal Gauges

- 2 1/2" Model- 20B (20BV) 1/4"NPT (BV=VibraGauge® option)
- 4" Models-40B (40BV) 1/4"NPT & 41B (41BV) 1/2"NPT
- 6" Models-60B (60BV) 1/4"NPT & 61B (61BV) 1/2"NPT

Dry, Liquid Filled or Pre-Filled. VibraGauge® Option also available  
 VibraGauge® for Dampening of vibration & pulsation without liquid filling.

- Case Relief Grommet.
- White Aluminium Dial, Black Figures.
- Black Aluminium Pointer (Adjustable on 4" & 6").
- Brass / Bronze Wetted Parts.
- AISI 316 Stainless Steel Case & Bayonet Ring (standard).
- Orifice Restrictor Screw (removable).

**ACCURACY**  
 +/- 1/2% Full Scale (ASME B40.1 Grade 2A) on 4" & 6".  
 +/- 1% Full Scale (ASME B40.1 Grade 1A) on 2, 1/2".

**LENS**  
 Laminated Safety Glass, removable / replaceable - 4mm (0.16") thick.

**MOUNTING TYPES & CASE TYPES**  
**No Code:** Bottom Connection (standard).  
**LB:** Lower-Back Connection.  
**FP:** Front Flange for Panel Mounting.  
**C:** C-Clamp Fixing for Panel Mounting.  
**R:** Rear Flange for Wall Mounting.

**PRESSURE RANGE CODES**

Range Code	Range (psi)	Range Code	Range (psi)
V30	30"HG-0Vacuum	300	0-300
R315	Receiver 3-15	400	0-400
C15	30"HG-0-15	600	0-600
C30	30"HG-0-30	800	0-800
C60	30"HG-0-60	1K	0-1,000
C100	30"HG-0-100	1500	0-1,500
C160	30"HG-0-160	2K	0-2,000
C200	30"HG-0-200	3K	0-3,000
C300	30"HG-0-300	4K	0-4,000
15	0-15	5K	0-5,000
30	0-30	6K	0-6,000
60	0-60		
100	0-100		
160	0-160		
200	0-200		

Model Shown: 41B-6K  
 To order other models  
 by part no. See Below.

**SPECIAL ADDER CODES**  
 = B = psi / Bar scale  
 = K = psi / kPa scale  
 = KGCW2 = psi / KG CM

**HOW TO ORDER BY PART NO.**

- Model number selected. (VibraGauge® option: add V to model).
- Choose Pressure Range (code).
- Choose Mounting Type (code).
- If Special Adder Codes are needed add code or (description).
- Liquid Filling, if desired GF=Glycerin, SF=Silicone, FF=Fluorolube.

1-Model	2-Range Code	3-Mounting Type	4-Special Adder Codes	5-Filling
41B	6K	None	None	None

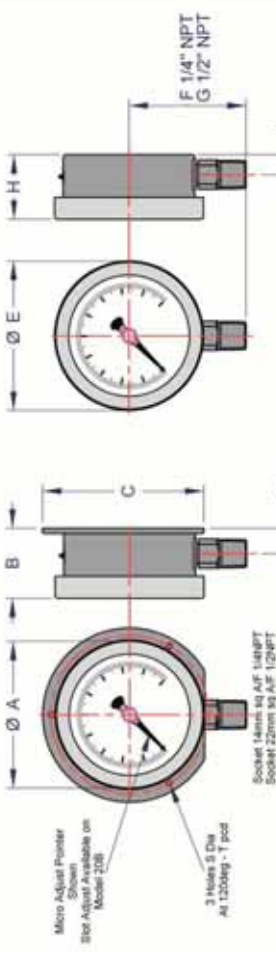
We manufacture a wide range of instruments to customer's special requirements  
 We shall be pleased to discuss and advise on your specifications.

Specifications and dimensions given in this leaflet represent the state of engineering at the time of printing.  
 Engineering modifications may take place without prior notice.

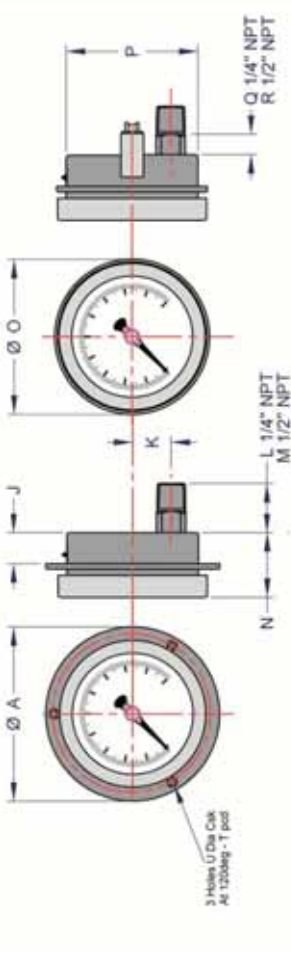
# Heavy Duty, Brass Internal Gauges

- 2 1/2" Model- 20B (20BV) 1/4"NPT (BV=VibraGauge® option)
- 4" Models- 40B (40BV) 1/4"NPT & 41B (41BV) 1/2"NPT (Non-Fillable Case = \*\*44B & 44BV or \*\*45B & \*\*45BV)
- 6" Models- 60B (60BV) 1/4"NPT & 61B (61BV) 1/2"NPT (Non-Fillable Case = \*\*62B & 62BV or \*\*63B & \*\*63BV)

Rear Flange Wall Mounting (R)



Front Flange Panel Mounting (FP) & (LB)



Clamp Fixing Panel Mounting (C)

Dim's	A	B	C	D	E	F	G	H	I	J	K	L	M	N	O	P	Q	R	S	T	U	Cut Out
(20B)	85	39	78.5	11.5	68.5	58	-	31	9.5	21.5	18	29	-	37	67	62	13	-	3.8	7.5	3.5	66
6" 2 1/2"	335	154	309	0.45	2.70	2.28	-	1.22	0.37	0.85	0.71	1.14	-	1.46	2.64	2.44	0.51	-	0.15	2.95	0.14	2.60
(40B / 41B)	132	51	121	17.5	112	83	88	48.5	15	24.5	32	34	39	48.5	110	99	18	18	6	118	6	106
100mm 4in	52	1.99	4.76	0.69	4.41	3.27	3.46	1.91	0.59	0.96	1.26	1.34	1.54	1.91	4.33	3.90	0.71	0.71	0.24	4.65	0.24	4.17
(60B / 61B)	196	51	184	17.5	162	109	114	48.5	15	24.5	32	34	39	48.5	172	148	18	18	5.8	178	5.8	153
160mm 6in	772	1.99	7.84	0.69	6.38	4.29	4.49	1.91	0.59	0.96	1.26	1.34	1.54	1.91	6.77	5.83	0.71	0.71	0.23	7.01	0.23	6.02

Warning : Before use please consult our recommendations regarding selection and installation or consult ASME B40.100.



**STEWARTS - USA**  
 6786 Tipperary  
 HOUSTON, TX 77061 USA  
 Phone: 713-643-1022  
 Fax: 713-643-2855  
 Toll Free: 1-800-901-1316  
 Web: stewart'susa.com



# Heavy Duty, All Stainless Steel Gauges

- 2 1/2" Model- 20S (20SV)** 1/4"NPT (SV=VibraGauge® option)
- 4" Models-40S (40SV)** 1/4"NPT & 41S (41SV) 1/2"NPT
- 6" Models-60S (60SV)** 1/4"NPT & 61S (61SV) 1/2"NPT

Dry, Liquid Filled or Pre-Filled. VibraGauge® Option also available  
 VibraGauge® for Dampening of vibration & pulsation without liquid filling.

- Case Relief Grommet.
- White Aluminum Dial, Black Figures.
- Black Aluminum Pointer (Adjustable on 4" & 6").
- AISI 316 Stainless Steel Wetted Parts.
- AISI 316 Stainless Steel Case & Bayonet Ring (standard).
- Orifice Restrictor Screw (removable).

**ACCURACY**  
 0-10,000 psi. 0.5% of Span on 4" & 6" (1.0% on 2-1/2")  
 15 & 20K psi. 1.0% of Span on 4" & 6" (1.5% on 2-1/2")  
 30K psi & up. 1.5% of Span

**LENS**  
 Laminated Safety Glass; removable / replaceable - 4mm (0.16") thick.

### MOUNTING TYPES & CASE TYPES

- No Code:** Bottom Connection.
- LB:** Lower-Back Connection.
- CB:** Center-Back, Special, N/A on 2-1/2"
- FP:** Front Flange for Panel Mounting.
- C:** C-Clamp Fixing for Panel Mounting. (Not Available on Solid Front Model)
- R:** Rear Flange for Wall Mounting.
- S:** Solid Front / Blow-out Back (Safety Case).

### PRESSURE RANGE CODES (up to 60,000 psi available on 6 inch Solid Front / Blow-out Back Case)

Range Code	Range (psi)
V30	30" HG-0vacuum
R315	Receiver 3-15
C15	30" HG-0-15
C30	30" HG-0-30
C60	30" HG-0-60
C100	30" HG-0-100
C160	30" HG-0-160
C200	30" HG-0-200
C300	30" HG-0-300
15	0-15
30	0-30
60	0-60
100	0-100
160	0-160
200	0-200
30K	0-30,000
35K	0-35,000

### HIGH PRESSURE CONNECTIONS AVAILABLE

- 20K = 1/4MPPF (Female)
- 30K = 1/4HPPF (Female)
- 35K = 1/4HPPF (Female)
- 9/16MPM (Male)
- 1/4HPM (Male)
- 9/16HPM (Male)
- 1/4HPM (Male)

**Note:** On Model 20S Max. Pressure = 20K, High Pressure Connection Required = 1/4MPPM (Male)

### HOW TO ORDER BY PART NO.

- Model number selected. (VibraGauge® option: add V to model).
- Choose Pressure Range (code).
- Choose Mounting Type (code).
- If Special Adder Codes are needed add code or (description).
- Liquid Filling, if desired GF=Glycerin, SF=Silicone, FF=Fluorolube.

1-Model	2-Range Code	3-Mounting Type	4-Special Adder Codes	5-Filling
41S	15K	None	None	None

We manufacture a wide range of instruments to customer's special requirements  
 We shall be pleased to discuss and advise on your specifications.

Specifications and dimensions given in this leaflet represent the state of engineering at the time of printing.  
 Engineering modifications may take place without prior notice.

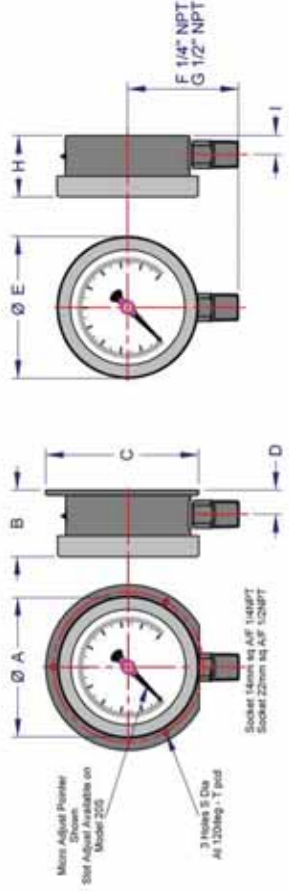
# Heavy Duty, All Stainless Steel Gauges

2 1/2" Model- 20S (20SV) 1/4"NPT (SV=VibraGauge® option)

- Models-40S (40SV)** 1/4"NPT & 41S (41SV) 1/2"NPT (Non-Fillable Case = \*\*44S & \*\*45S or \*\*45S & \*\*45SV)
- Models-60S (60SV)** 1/4"NPT & 61S (61SV) 1/2"NPT (Non-Fillable Case = \*\*62S & \*\*62SV or \*\*63S & \*\*63SV)

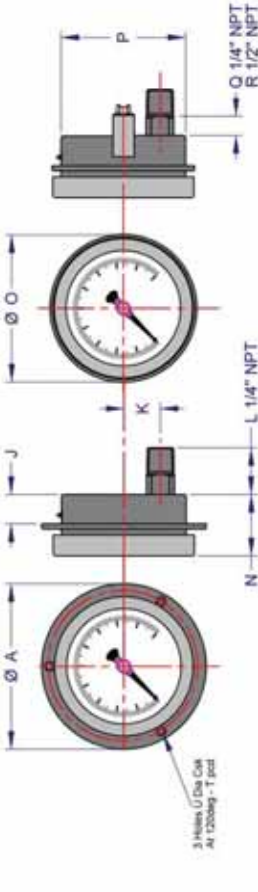
Rear Flange Wall Mounting (R)

Direct Mounting (Standard, no code)



Front Flange Panel Mounting (FP) & (LB)

Clamp Fixing Panel Mounting (C)



Dim's	A	B	C	D	E	F	G	H	I	J	K	L	M	N	O	P	Q	R	S	T	U	Cut Out
(20S) 63mm 2.5in	85	39	78.5	11.5	68.5	58	-	31	9.5	21.5	18	29	-	37	67	62	13	-	3.8	75	3.5	66
(40S) 100mm 4in	132	51	121	17.5	112	83	88	48.5	15	24.5	32	34	39	48.5	110	99	18	18	6	118	6	106
(60S) 160mm 6in	196	66	184	30	162	109	114	48.5	15	24.5	32	34	39	48.5	172	148	18	18	5.8	178	5.8	153
	7.72	1.98	7.84	0.69	6.38	4.29	4.49	1.91	0.59	0.96	1.26	1.34	1.54	1.91	6.77	5.83	0.71	0.71	0.23	7.01	0.23	6.02

### SOLID FRONT SAFETY CASE (S)

Dim's	A	B	C	D	E	F	G	H	I	J	K	L	M	N	O	P	Q	R	S	T	U	Cut Out
(20S) 63mm 2.5in	85	43	78.5	20.5	63.5	58	-	42	19.5	21	18	28	-	42	82	77	12	-	3.8	75	3.5	66
(40S) 100mm 4in	132	65	121	30	112	83	88	65	29	41	34	37	42	67	42	67	21	21	6	118	6	106
(60S) 160mm 6in	196	66	184	30	162	109	114	65	29	41	34	37	42	92	42	92	21	21	5.8	178	5.8	155
	7.72	2.60	7.24	1.18	6.38	4.29	4.49	2.56	1.14	1.61	1.34	1.46	1.65	3.62	-	5.83	0.83	0.83	0.23	7.01	0.23	6.10

Gas and Steam in excess of 400 PSI (25 Bar) pressure can represent danger if there is a rupture in the Bourdon Tube measuring this gas. The Bourdon Tube is made of a special alloy and is designed to burst before the Bourdon Tube releases the gas to the atmosphere.

Although there is not necessarily any great risk in the use of gauges for gases at pressure less than 400psi (25 Bar), a blow-out valve should be incorporated and the purchaser should have regard to the nature of the gas and the installation conditions and, if necessary, order a gauge of the **Solid Front type**.

Surface mounted (rear flange) gauges should be fitted with distance pieces of not less than 3/4" (20mm) long to allow them to be mounted away from wall or panel.

VibraGauge® dampened movement option provides twice the life of dry gauges, without liquid-filling. Eliminates pointer flutter and liquid fill lines.

**Warning :** Before use please consult our recommendations regarding selection and installation or consult ASME B40.100.



**STEWARTS - USA**  
 6786 Tipperary  
 HOUSTON, TX 77061 USA  
 Phone. 713-643-1022  
 Fax. 713-643-2855  
 Toll Free. 1-800-901-1316  
 Web. stewart'susa.com



## Safety Zone Reflective Glow Gauge

- 2.5" Model -20S (1/4" NPT)
- 4" Models-40S (1/4" NPT) & 41S (1/2" NPT)
- 6" Models-60S (1/4" NPT) & 61S (1/2" NPT)

### Glow-in-the-Dark dial and Reflective Pointer

Dry, Liquid Filled or Pre-Filled. (VibraGauge® dampened movement option also available)

- >Case Relief Grommet
- >"Visual Systems" compliance (T.P.M.), with "easy to set" operating zone tabs
- >Glow Dial - Photoluminescent polycarbonate (black figures) (ambient rated to 200°F)
- >Black Aluminum (Adjustable) Pointer with Retro-Reflective Enhancement
- >AISI 316 Stainless Steel Wetted Parts
- >AISI 316 Stainless Steel Case
- >AISI 316 Stainless Steel Bayonet Ring (w/ Adjustable Reflective Safety Zone Tabs)
- >Orifice Restrictor Screw for Pulsation (Removable)

### ACCURACY

± 0.5% Full Scale (ASME B40.1 Grade 2A) (± 1.0% on Model 20S)

### LENS

Laminated Safety Glass, removable/replaceable - 4mm thick.

### MOUNTING TYPES

- No Code:** Bottom Connection
- LB:** Lower Back Connection (**CB:** Center-Back, Special, N/A on 21/2")
- FP:** Front Flange for Panel Mounting
- C:** C-Clamp Fixing for Panel Mounting (Not Available on Solid Front Model)
- R:** Rear Flange for Wall Mounting
- S:** Solid Front/Blow-out Back (Safety Case)

### PRESSURE RANGE CODES (up to 60,000 psi available on 6 inch SFBOS case)

Range Code	Range (psi)	Range Code	Range (psi)
V30	30" Hg - 0 Vacuum	300	0-300
R315	Receiver 3-15	400	0-400
C15	30" Hg -0- 15	600	0-600
C30	30" Hg -0- 30	800	0-800
C60	30" Hg -0- 60	1K	0-1,000
C100	30" Hg -0- 100	1500	0-1,500
C160	30" Hg -0- 160	2K	0-2,000
C200	30" Hg -0- 200	3K	0-3,000
C300	30" Hg -0- 300	4K	0-4,000
15	0-15	5K	0-5,000
30	0-30	6K	0-6,000
60	0-60	10K	0-10,000
100	0-100	15K	0-15,000
160	0-160	20K	0-20,000
200	0-200	30K	0-30,000
		35K	0-35,000

### HIGH PRESSURE CONNECTIONS AVAILABLE

- 20K = 1/4" MPF (Female)
- 30K = 1/4" HPM (Male)
- 35K = 1/4" HPP (Female)

Note: On Model 20S Max. Pressure = 20K, High Pressure Connection Required = 1/4MPM(Male)

### HOW TO ORDER BY PART NUMBER

- Model Number (code) (VibraGauge® option: add "V" to model)
- Choose Pressure Range (code)
- Choose Mounting Type (code)
- Special Adder Codes: **G = Safety Zone Reflective Glow Gauge Option**
- Liquid filling, if desired: **FF = Fluorolube or VibraGauge® dampened movement (not for liquid filling)**

1-Model	2-Range Code	3-Mounting Type	4-Special Adder Codes	5-Filling
41S	6K	G (Glow Gauge)		None

We manufacture a wide range of instruments to customer's special requirements

We shall be pleased to discuss and advise on your specifications.

Specifications and dimensions given in this leaflet represent the state of engineering at the time of printing.

SGZG20090328

## Safety Zone Reflective Glow Gauge (316 SS)

- 2.5" Model -20S (1/4" NPT)
- 4" Models-40S (1/4" NPT) & 41S (1/2" NPT)
- 6" Models-60S (1/4" NPT) & 61S (1/2" NPT)

Direct Mounting (Standard)

Rear Flange Wall Mounting (R)

Front Flange Panel Mounting (FP) or (LB)

Clamp Fixing Panel Mounting (C)

Model	A	B	C	D	E	F	G	H	I	J	K	L	M	N	O	P	Q	R	S	T	U	Cut Out
(20S) 63mm	85	39	78.5	11.5	68.5	58	-	31	9.5	21.5	18	29	-	37	67	62	13	-	3.8	7.5	3.5	66
(20S) 2.5in	3.35	1.54	3.09	0.45	2.70	2.28	-	1.22	0.37	0.85	0.71	1.14	-	1.46	2.64	2.44	0.51	-	0.15	2.95	0.14	2.60
(40S/41S) 100mm	132	51	121	17.5	112	83	-	88	48.5	15	24.5	32	34	39	48.5	110	99	-	18	6	118	6
(40S/41S) 4in	5.20	2.00	4.76	0.69	4.41	3.27	-	3.46	1.91	0.59	0.96	1.26	1.34	1.54	4.85	4.33	3.90	0.71	0.71	0.24	4.65	0.24
(60S/61S) 160mm	196	51	184	17.5	162	109	-	114	48.5	15	24.5	32	34	39	48.5	172	148	-	18	5.8	178	5.8
(60S/61S) 6in	7.72	1.99	7.84	0.69	6.38	4.29	-	4.49	1.91	0.59	0.96	1.26	1.34	1.54	4.91	6.77	5.83	0.71	0.71	0.23	7.01	0.23
<b>SOLID FRONT GAUGE (S)</b>																						
(20S) 63mm	85	43	78.5	20.5	63.5	58	-	42	19.5	21	18	28	-	42	62	12	-	-	3.8	7.5	3.5	66
(20S) 2.5in	3.35	1.70	3.09	0.81	2.50	2.28	-	1.65	0.77	0.83	0.71	1.10	-	1.65	-	-	-	-	0.15	2.95	0.14	2.60
(40S/41S) 100mm	132	65	121	30	112	83	-	88	65	29	41	34	37	42	67	-	-	-	9.9	21	6	118
(40S/41S) 4in	5.20	2.56	4.76	1.18	4.41	3.27	-	3.46	2.56	1.14	1.61	1.34	1.46	1.65	2.64	-	-	-	3.90	0.83	0.83	0.24
(60S/61S) 160mm	196	66	184	30	162	109	-	114	65	29	41	34	37	42	92	-	-	-	14.8	21	5.8	178
(60S/61S) 6in	7.72	2.60	7.24	1.18	6.38	4.29	-	4.49	2.56	1.14	1.61	1.34	1.46	1.65	3.62	-	-	-	5.83	0.83	0.83	0.23

Gas and Steam in excess of 25 Bar pressure can represent danger if there is a rupture in the Bourdon Tube measuring this gas. To minimize the danger, gauges in this application should be Solid Front type, having solid front between Bourdon tube and dial, safety window and blow-out back to allow any blast to release to the rear of gauge.

Although it is not necessary to use gauges for gases at pressure less than 25 Bar, a blow-out valve should be fitted to the rear of the gauge for the protection of the operator. Please refer to the literature for the correct order of a gauge of the Solid Front type. Surface mounted gauges should be fitted with distance pieces of not less than 3/4" (20mm) long to allow them to be mounted away from wall or panel.

Before use please consult our recommendation regarding selection and installation or consult ASME B40.100



### STEWARTS-USA

6786 Tipperary  
Houston, TX 77061 U.S.A.  
713-643-1022  
713-643-2855 Fax  
800-901-1316

www.stewartsusa.com



# Utility Gauges

2.5" Model-21S 1/4"NPT  
4" Models-42S 1/4"NPT & 43S 1/2"NPT

## AISI 316 STAINLESS STEEL CASE FILLABLE 1/4 / 1/2 inch NPT

- AISI 316 Crimped on Bezel
- Blow-Out Relief
- Polycarbonate Window
- White Aluminum Dial (Black Printing)
- Black Aluminum Pointer
- Stainless Steel Movement
- AISI 316 Stainless Steel Wetted Parts
- Pulsation Restriction

**ACCURACY**  
ASME B40.1 Grade A 2-1-2%.

**RANGE**  
As Detailed Below.

### MOUNTING TYPES

- Standard Direct Mounted (Bottom Vertical).
- CB: Center Back Connection.
- LB: Lower Back Connection.
- FP: Front Flange for Panel Mounting.
- C: C-Clamp Fixing for Panel Mounting.
- R: Rear Flange for Wall Mounting.



Model: 42S-6K  
To order other models  
by part no. See Below.

### RANGE SELECTION

Range Code	Range (psi)	Range Code	Range (psi)
V30	VAC 0-30	160	0-160
R315	REC 3-15	200	0-200
C15	COMP 30+15	300	0-300
C30	COMP 30+30	400	0-400
C60	COMP 30+60	600	0-600
C100	COMP 30+100	800	0-800
C160	COMP 30+160	1K	0-1,000
C200	COMP 30+200	1500	0-1,500
C300	COMP 30+300	2K	0-2,000
30	0-15	3K	0-3,000
60	0-30	5K	0-5,000
100	0-60	6K	0-6,000
	0-100	10K	0-10,000

Additional Code Suffix for dual scale ranges (B = BAR/PSI) (K = KPA/PSI) (K = Kg Cm<sup>2</sup> / PSI)

### HOW TO ORDER BY PART NO.

- Model No.
- Choose Pressure Range (code).
- Choose Mounting Type.
- If special requirements are needed add description.

**FOR EXAMPLE (AS SHOWN) 42S-6K-CB**  
4inch Utility Gauge 1/4inch NPT.

0-6,000 psi.  
Center Back Connection.  
No Non Standard Requirements.

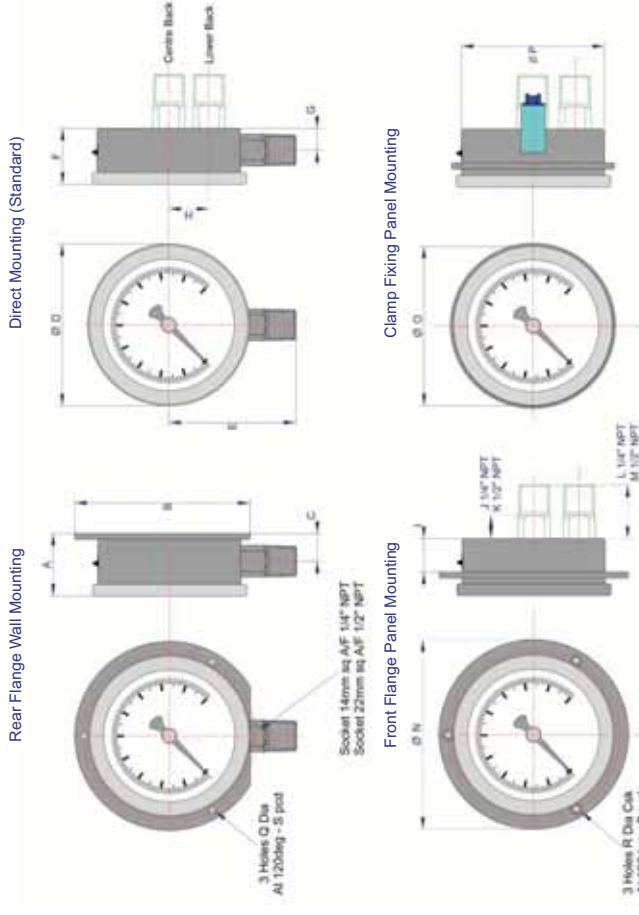
Model	Dial Range Code	Mounting Type	Filling Type	Non Standard Requirements
42S	6K	CB	None	None

We manufacture a wide range of instruments to customer's special requirements  
We shall be pleased to discuss and advise on your specifications.

Specifications and dimensions given in this leaflet represent the state of engineering at the time of printing.  
Engineering modifications may take place without prior notice.

# Utility Gauges

2.5" Model-21S 1/4"NPT  
4" Models-42S 1/4"NPT & 43S 1/2"NPT



Dim's	A	B	C	D	E	F	G	H	I	J	K	L	M	N	O	P	Q	R	S	Cut Out
63mm 2.5in				67.3	56	30.5	10.6	18	19.5					85.2	67	62	3.8	3.8	75	66
100mm 4in				2.65	2.20	1.20	0.42	0.71	0.77					3.35	2.64	2.44	0.15	0.15	2.95	2.60
				109	78.5	33.5	0.92	18	20.8					132.5	110	98.8	6	6	118	106
				4.29	2.97	1.32	12.2	0.71	0.82					5.21	4.33	3.89	0.24	0.24	4.65	4.17

Warning: Before use please consult our recommendation regarding selection and installation.  
Copies available on request.



**STEWARTS-USA, LLC**  
6786 Tipperary  
HOUSTON, TX 77061  
Phone: 713-643-1022  
Fax: 713-643-2855  
Toll Free: 1-800-901-1316



# Heavy Duty, All Stainless Steel Gauges

## 2" Model-30S



### Dry, Liquid Fillable or Pre-Filled.

Case Relief Grommet.  
White Aluminum Dial, Black figures.  
Black Aluminum Pointer.  
AISI 316 Stainless Steel Wetted Parts.  
AISI 316 Stainless Steel Case & Bayonet Ring (Standard).  
Office Restrictor Screw for Pulsation (Removable).

**ACCURACY**  
+/-1% Full Scale (AMSE B40.1 Grade 1A).

**LENS**  
Laminated Safety Glass, removable / replaceable -4mm thick.

**MOUNTING TYPES**  
No Code: Bottom Connection (Standard).  
CB: Center Back Connection.  
FP: Front Flange for Panel Mounting.  
C: C-Clamp Fixing for Panel Mounting.

Range Code	Range (psi)	Range Code	Range (psi)
R30	30"Hg-0 Vacuum	400	0-300
R315	Receiver 3-15	400	0-400
C15	30"Hg-0-15	600	0-600
C30	30"Hg-0-30	800	0-800
C60	30"Hg-0-60	1K	0-1,000
C100	30"Hg-0-100	1500	0-1,500
C160	30"Hg-0-160	2K	0-2,000
C200	30"Hg-0-200	3K	0-3,000
C300	30"Hg-0-300	4K	0-4,000
15	0-15	5K	0-5,000
30	0-30	6K	0-6,000
60	0-60	10K	0-10,000
100	0-100		
160	0-160		
200	0-200		

Special Adder Codes for dual scale ranges: (B = psi/Bar) (K = psi/KPa) (K/GCM2 = psi/Kg CM<sup>2</sup>)

### HOW TO ORDER BY PART NUMBER.

- 1 Model Number: (30S)
- 2 Choose Pressure Range (code)
- 3 Choose Mounting Type (code)
- 4 If Special Adder Codes are needed, add code or (description).
- 5 Liquid filling, if desired: GF=Glycerin, SF=Silicone, FF=Fluorolube. Note: Add 1/8 if you require 30S with 1/8" NPT.

### FOR EXAMPLE: 30S-60

2 inch Fillable 316 Stainless Steel Gauge, 1/4 inch NPT.  
0-60 psi range.  
Standard Bottom Mount.

1-Model	2-Range Code	3-Mounting Type	4-Special Adder Code	5-Filling Type
30S	60	None	None	None

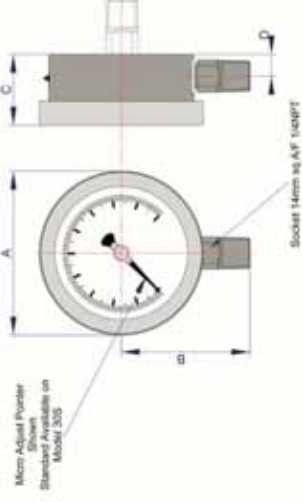
We manufacture a wide range of instruments to customer's special requirements  
We shall be pleased to discuss and advise on your specifications.

Specifications and dimensions given in this leaflet represent the state of engineering at the time of printing.  
Engineering modifications may take place without prior notice.

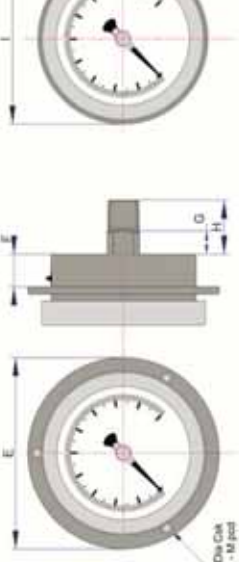
# Heavy Duty, All Stainless Steel Gauges

## 2" Model-30S

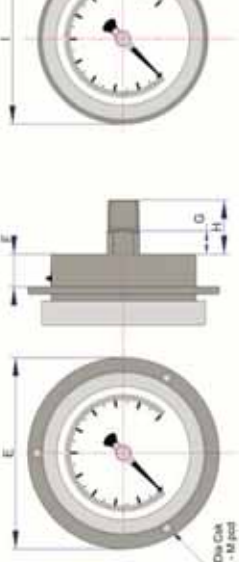
### Direct Mounting (Standard No Code)



### Front Flange Panel Mounting (FP) (CB)



### Clamp Fixing Panel Mounting (C)



A	B	C	D	E	F	G	H	I	J	K	L	M	N	O	P	Q	R	S	T	U	V	W	X	Y	Z	
50.8mm	55.4	50	31.5	10.8	77	15.8	6.7	22.7	55.9	18	49	3.8	65	53	2.09											
2in	2.18	1.97	1.24	0.42	3.03	0.62	0.26	0.89	2.20	0.71	1.93	0.15	2.56	2.09												

Warning: Before use please consult our recommendation regarding selection and installation or consult ASME B40.1.



**STEWARTS - USA**  
6786 Tipperary  
HOUSTON, TX 77061 USA  
Phone: 713-643-1022  
Fax: 713-643-2855  
Toll Free: 1-800-901-1316  
Web: stewartusa.com



# Stainless Steel Case Brass Internals Gauges Non - Fillable

4" Models-44B 1/4"NPT & 45B 1/2"NPT  
6" Models-62B 1/4"NPT & 63B 1/2"NPT

## ANSI 316 STAINLESS STEEL CASE BRASS INTERNALS NON-FILLABLE 1/4 / 1/2 inch NPT

Blow-Out Relief (Back).  
Laminated Safety Glass Window.  
White Aluminum Dial (Black Printing).  
Black Aluminum (Adjustable) Pointer.  
Brass / Bronze Wetted Parts.  
ANSI 316 Stainless Steel Case.  
ANSI 316 Stainless Steel Bayonet Ring.  
Pulsation Restrictor.

### ACCURACY

1/2 of 1% Full scale.  
Low Pressure 1 1/2% Full Scale.

### RANGE

As Detailed Below.

### MOUNTING TYPES

Standard Direct Mounted (Bottom Vertical).  
LB: Lower Back Connection.  
FP: Front Flange for Panel Mounting.  
C: C-Clamp Fixing for Panel Mounting.  
R: Rear Flange for Wall Mounting.

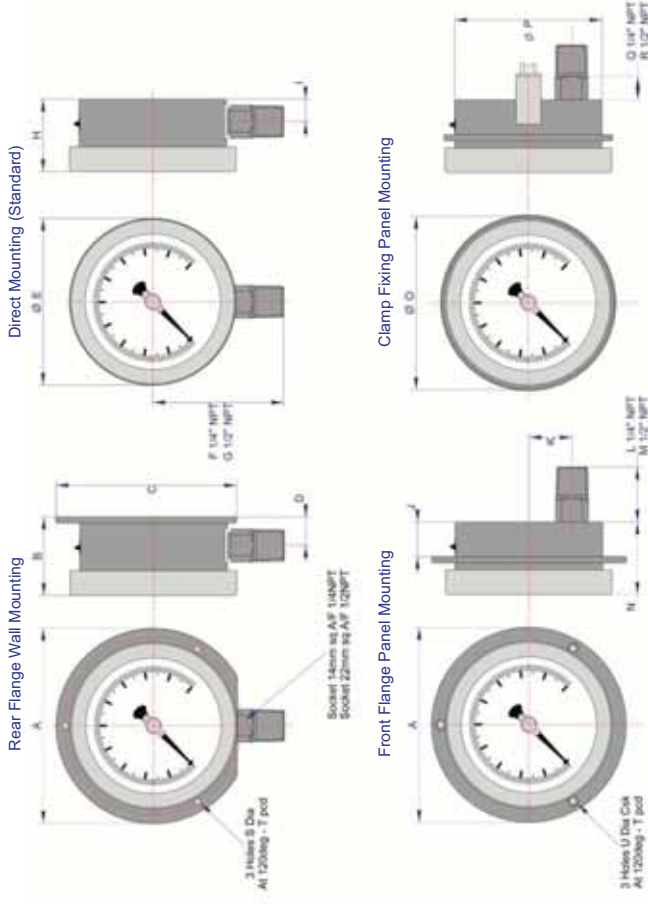
Range Code	Range (psi)	Range Code	Range (psi)
V30	VAC 0-30	300	0-300
R315	REC 3-15	400	0-400
C15	COMP 30+15	600	0-600
C30	COMP 30+30	800	0-800
C60	COMP 30+60	1K	0-1,000
C100	COMP 30+100	1500	0-1,500
C160	COMP 30+160	2K	0-2,000
C200	COMP 30+200	3K	0-3,000
C300	COMP 30+300	4K	0-4,000
15	0-15	5K	0-5,000
30	0-30	6K	0-6,000
60	0-60		
100	0-100		
160	0-160		
200	0-200		

Model Shown: 45B-100"WC  
To order other models  
by part no. See Below.



# Stainless Steel Case Brass Internals Gauges Non - Fillable

4" Models-44B 1/4"NPT & 45B 1/2"NPT  
6" Models-62B 1/4"NPT & 63B 1/2"NPT



Dim's	A	B	C	D	E	F	G	H	I	J	K	L	M	N	O	P	Q	R	S	T	U	Cut Out
100mm	132	51	121	17.5	112	83	88	48.5	15	24.5	32	34	39	48.5	110	99	18	6	6	118	106	
4in	5.2	1.99	4.76	0.69	4.41	3.27	3.46	1.91	0.59	0.96	1.26	1.34	1.54	1.91	4.33	3.90	0.71	0.24	0.24	4.65	4.17	
160mm	196	61	184	17.5	162	109	114	48.5	15	24.5	32	34	39	48.5	172	148	18	5.8	5.8	178	153	
6in	7.72	1.99	7.84	0.69	6.38	4.29	4.49	1.91	0.59	0.96	1.26	1.34	1.54	1.91	6.77	5.83	0.71	0.23	0.23	7.01	6.02	

Additional Code Suffix for dual scale ranges (B = BAR/PSI) (K = KPA/PSI) (KgCm<sup>2</sup> = KgCm<sup>2</sup> / PSI)

### HOW TO ORDER BY PART NO.

- 1 Model No.
- 2 Choose Pressure Range (code).
- 3 Choose Mounting Type.
- 4 If special requirements are needed add description.

FOR EXAMPLE (AS SHOWN) 45B-100"WC-C

- 4inch Non Fillable Stainless Steel / Brass 1/2inch NPT.
- 0-100"
- C-Clamp Fixing for Panel Mounting.
- No Non Standard Requirements.

Model	Dial Range Code	Mounting Type	Filling Type	Non Standard Requirements
45B	100"WC	C	None	None

We manufacture a wide range of instruments to customer's special requirements  
We shall be pleased to discuss and advise on your specifications.

Specifications and dimensions given in this leaflet represent the state of engineering at the time of printing.  
Engineering modifications may take place without prior notice.

Warning : Before use please consult our recommendation regarding selection and installation.  
Copies available on request.



**STEWARTS-USA, LLC**  
6786 Tipperary  
HOUSTON, TX 77061  
Phone. 713-643-1022  
Fax. 713-643-2855  
Toll Free. 1-800-901-1316



# Stainless Steel Case Brass Internals Test Gauges Non - Fillable

4" Models-44BT 1/4"NPT & 45BT 1/2"NPT  
6" Models-62BT 1/4"NPT & 63BT 1/2"NPT

## SAI316 STAINLESS STEEL CASE BRASS INTERNALS NON-FILLABLE 1/4 / 1/2 inch NPT

Blow-Out Relief (Back).  
Laminated Safety Glass Window.  
Mirror Dial (Black Printing).  
Black Aluminium (Knife Edge) Pointer.  
Brass / Bronze Wetted Parts.  
SAI316 Stainless Steel Case.  
SAI316 Stainless Steel Bayonet Ring.

**ACCURACY**  
1/4 of 1% (6,000psi & below)

**RANGE**  
As Detailed Below.

### MOUNTING TYPES

Standard Direct Mounted (Bottom Vertical).  
LB: Lower Back Connection.  
FP: Front Flange for Panel Mounting.  
C: C-Clamp Fixing for Panel Mounting.  
R: Rear Flange for Wall Mounting.

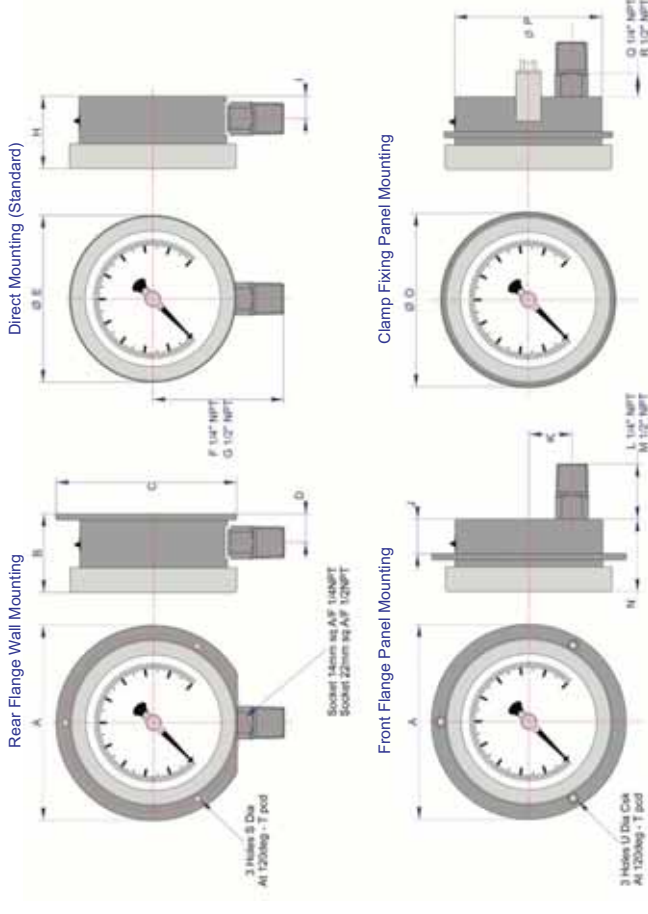
Range Code	Range (psi)	Range Code	Range (psi)
V30	VAC 0-30	300	0-300
R315	REC 3-15	400	0-400
C15	COMP 30+15	600	0-600
C30	COMP 30+30	800	0-800
C60	COMP 30+60	1K	0-1,000
C100	COMP 30+100	1500	0-1,500
C160	COMP 30+160	2K	0-2,000
C200	COMP 30+200	3K	0-3,000
C300	COMP 30+300	4K	0-4,000
15	0-15	5K	0-5,000
30	0-30	6K	0-6,000
60	0-60		
100	0-100		
160	0-160		
200	0-200		

Model Shown: 45BT-10  
To order other models  
by part no. See Below.



# Stainless Steel Case Brass Internals Test Gauges Non - Fillable

4" Models-44BT 1/4"NPT & 45BT 1/2"NPT  
6" Models-62BT 1/4"NPT & 63BT 1/2"NPT



Additional Code Suffix for dual scale ranges (B = BAR/PSI) (K = KPA/PSI) (KgCm<sup>2</sup> = KgCm<sup>2</sup> / PSI)

### HOW TO ORDER BY PART NO.

- Model No.
- Choose Pressure Range (code).
- Choose Mounting Type.
- If special requirements are needed add description. No Non Standard Requirements.

Model	Dial Range Code	Mounting Type	Filling Type	Non Standard Requirements
45BT	10	C	None	None

We manufacture a wide range of instruments to customer's special requirements  
We shall be pleased to discuss and advise on your specifications.

Specifications and dimensions given in this leaflet represent the state of engineering at the time of printing.  
Engineering modifications may take place without prior notice.



**STEWARTS-USA, LLC**  
6786 Tipperary  
HOUSTON, TX 77061  
Phone. 713-643-1022  
Fax. 713-643-2855  
Toll Free. 1-800-901-1316

Warning : Before use please consult our recommendation regarding selection and installation.  
Copies available on request.

100mm 4in	132	51	121	17.5	112	83	88	48.5	15	24.5	32	34	39	48.5	110	99	18	6	6	118	106	
160mm 6in	52	199	476	0.69	4.41	3.27	3.46	1.91	0.59	0.96	1.26	1.34	1.54	1.91	4.33	3.90	0.71	0.71	0.24	0.24	4.65	4.17
	196	51	184	17.5	162	109	114	48.5	15	24.5	32	34	39	48.5	172	148	18	5.8	5.8	178	153	
	7.72	1.99	7.84	0.69	6.38	4.29	4.49	1.91	0.59	0.96	1.26	1.34	1.54	1.91	6.77	5.83	0.71	0.71	.23	.23	7.01	6.02
	A	B	C	D	E	F	G	H	I	J	K	L	M	N	O	P	Q	R	S	T	U	Cut Out



# Stainless Steel Case Gauges

## Non - Fillable

- 4" Models-44S 1/4"NPT & 45S 1/2"NPT
- 6" Models-62S 1/4"NPT & 63S 1/2"NPT

### ANSI 316 STAINLESS STEEL CASE NON FILLABLE 1/4 / 1/2 inch NPT

- Blow-Out Relief (Back)
- Laminated Safety/Glass Window
- White Aluminum Dial (Black Printing)
- Black Aluminum (Adjustable) Pointer
- ANSI 316 Stainless Steel Welded Parts
- ANSI 316 Stainless Steel Case
- ANSI 316 Stainless Steel Bayonet Ring
- Pulsation Restriction

#### ACCURACY

- 1/2 of 1% Full Scale
- Over 10,000 psi 1%
- Low Pressure 1 1/2% Full Scale

#### RANGE

As Detailed Below.

#### MOUNTING TYPES

- Standard Direct Mounted (Bottom Vertical)
- LB: Lower Back Connection
- FP: Front Flange for Panel Mounting
- C: C-Clamp Fixing for Panel Mounting
- R: Rear Flange for Wall Mounting



Model Shown: 45S-100"WC  
To order other models by part no. See Below.

#### RANGE SELECTION

Range Code	Range (psi)	Range Code	Range (psi)
V30	VAC 0-30	300	0-300
R315	REC 3-15	400	0-400
C15	COMP 30+15	600	0-600
C30	COMP 30+30	800	0-800
C60	COMP 30+60	1K	0-1,000
C100	COMP 30+100	1500	0-1,500
C160	COMP 30+160	2K	0-2,000
C200	COMP 30+200	3K	0-3,000
C300	COMP 30+300	4K	0-4,000
15	0-15	5K	0-5,000
30	0-30	6K	0-6,000
60	0-60	10K	0-10,000
100	0-100	15K	0-15,000
160	0-160	20K	0-20,000
200	0-200	30K	0-30,000
		35K	0-35,000

Additional Code Suffix for dual scale ranges (B = BAR/Psi) (K = KPA/Psi) (KgCm<sup>2</sup> = KgCm<sup>2</sup> / PSI)

#### HOW TO ORDER BY PART NO.

- Model No.
- Choose Pressure Range (code)
- Choose Mounting Type
- If special requirements are needed add description.

Model	Dial Range Code	Mounting Type	Filling Type	Non Standard Requirements
45S	100"WC	C	None	None

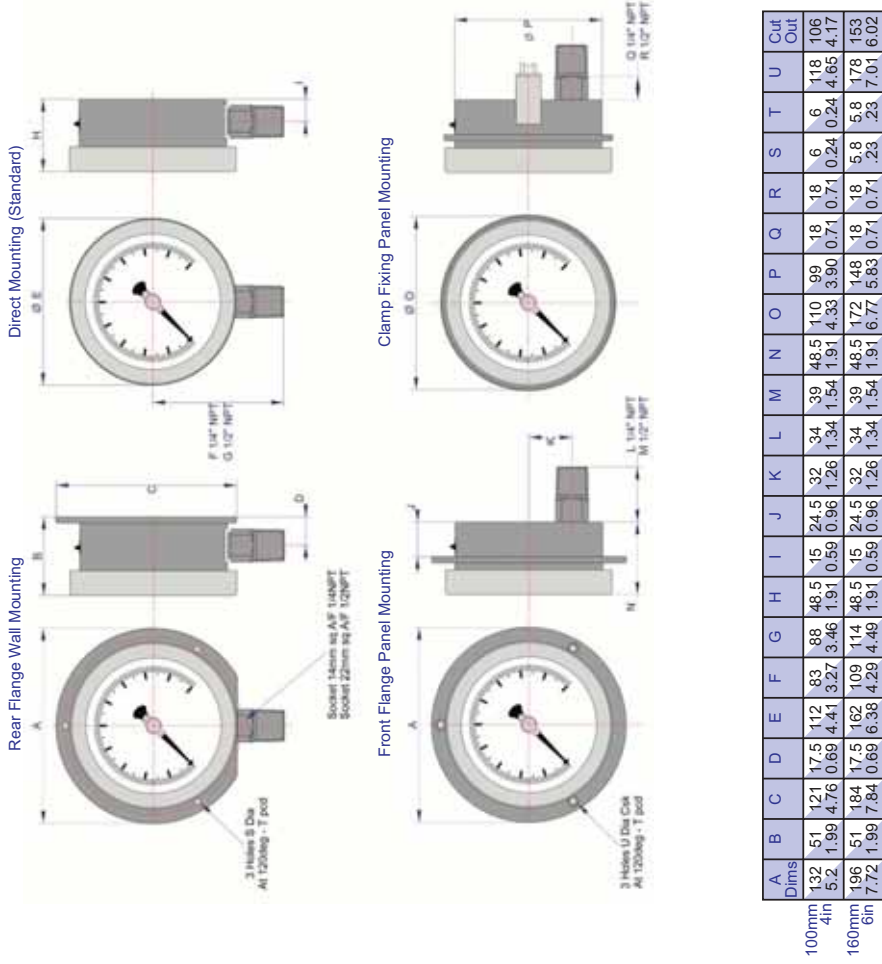
We manufacture a wide range of instruments to customer's special requirements. We shall be pleased to discuss and advise on your specifications.

Specifications and dimensions given in this leaflet represent the state of engineering at the time of printing. Engineering modifications may take place without prior notice.

# Stainless Steel Case Gauges

## Non - Fillable

- 4" Models-44S 1/4"NPT & 45S 1/2"NPT
- 6" Models-62S 1/4"NPT & 63S 1/2"NPT



Dim's	A	B	C	D	E	F	G	H	I	J	K	L	M	N	O	P	Q	R	S	T	U	Cut Out
100mm	132	51	121	17.5	112	83	88	48.5	15	24.5	32	34	39	48.5	110	99	18	18	6	6	118	106
4in	5.2	1.99	4.76	0.69	4.41	3.27	3.46	1.91	0.59	0.96	1.26	1.34	1.54	1.91	4.33	3.90	0.71	0.71	0.24	0.24	4.65	4.17
160mm	196	61	184	17.5	162	109	114	48.5	15	24.5	32	34	39	48.5	172	148	18	18	5.8	5.8	178	153
6in	7.72	1.99	7.84	0.69	6.38	4.29	4.49	1.91	0.59	0.96	1.26	1.34	1.54	1.91	6.77	5.83	0.71	0.71	.23	.23	7.01	6.02

Warning : Before use please consult our recommendation regarding selection and installation. Copies available on request.



**STEWARTS-USA, LLC**  
6786 Tipperary  
HOUSTON, TX 77061  
Phone. 713-643-1022  
Fax. 713-643-2855  
Toll Free. 1-800-901-1316



# Stainless Steel Case Test Gauges

## Non - Fillable

- 4" Models-44ST 1/4"NPT & 45ST 1/2"NPT
- 6" Models-62ST 1/4"NPT & 63ST 1/2"NPT

### ANSI 316 STAINLESS STEEL CASE NON-FILLABLE 1/4 / 1/2 inch NPT

- Blow-Out Relief (Back)
- Laminated Safety/Glass Window
- Mirror Dial (Black/Printing)
- Black Aluminum (Knife Edges) Pointer
- ANSI 316 Stainless Steel W/etched Parts
- ANSI 316 Stainless Steel Case
- ANSI 316 Stainless Steel Bayonet Ring

**ACCURACY**  
1/4 of 1% (10,000psi & below)  
1/2 of 1% (15,000psi & over)

**RANGE**  
As Detailed Below.

- MOUNTING TYPES**
- Standard Direct Mounted (Bottom Vertical)
  - LB: Lower Back Connection
  - FP: Front Flange for Panel Mounting
  - C: C-Clamp Fixing for Panel Mounting
  - R: Rear Flange for Wall Mounting



Model Shown: 45ST-10  
To order other models  
by part no. See Below.

Range Code	Range (psi)	Range Code	Range (psi)
V30	VAC 0-30	300	0-300
R315	REC 3-15	400	0-400
C15	COMP 30+15	600	0-600
C30	COMP 30+30	800	0-800
C60	COMP 30+60	1K	0-1,000
C100	COMP 30+100	1500	0-1,500
C160	COMP 30+160	2K	0-2,000
C200	COMP 30+200	3K	0-3,000
C300	COMP 30+300	4K	0-4,000
15	0-15	5K	0-5,000
30	0-30	6K	0-6,000
60	0-60	10K	0-10,000
100	0-100	15K	0-15,000
160	0-160	20K	0-20,000
200	0-200	30K	0-30,000
		35K	0-35,000

**Additional Code Suffix for dual scale ranges (B = KPA/PSI) (K = KPA/PSI) (KgCm<sup>2</sup> = KgCm<sup>2</sup> / PSI)**

**HIGH PRESSURE CONNECTIONS AVAILABLE**

- 20K =1/4" MPF(Female)
- 30K =1/4" HPF(Female)
- 35K =1/4" HPM(Male)
- 9/16" MPM(Male)
- 9/16" HPM(Male)
- 9/16" HPM(Male)

Note: -On Model 20S Max Pressure = 20K, High Pressure Connection = 1/4" MPM(Male)

**HOW TO ORDER BY PART NO.**

- Model No.
- Choose Pressure Range (code)
- Choose Mounting Type.
- If special requirements are needed add description.

FOR EXAMPLE (AS SHOWN) 45ST-10-C

- 4inch Non-Fillable Stainless Steel Test Gauge 1/2inch NPT.
- 0-10 psi.
- C-Clamp Fixing for Panel Mounting.
- No Non Standard Requirements.

Model	Dial Range Code	Mounting Type	Filling Type	Non Standard Requirements
45ST	10	C	None	None

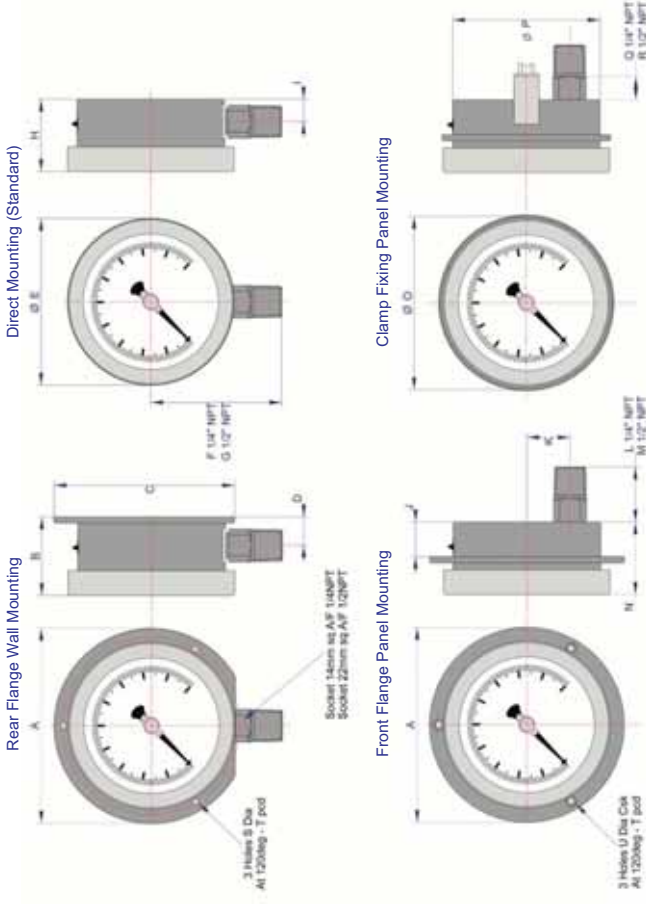
We manufacture a wide range of instruments to customer's special requirements. We shall be pleased to discuss and advise on your specifications.

Specifications and dimensions given in this leaflet represent the state of engineering at the time of printing. Engineering modifications may take place without prior notice.

# Stainless Steel Case Test Gauges

## Non - Fillable

- 4" Models-44ST 1/4"NPT & 45ST 1/2"NPT
- 6" Models-62ST 1/4"NPT & 63ST 1/2"NPT



Dim's	A	B	C	D	E	F	G	H	I	J	K	L	M	N	O	P	Q	R	S	T	U	Cut Out
100mm	132	51	121	17.5	112	83	88	48.5	15	24.5	32	34	39	48.5	110	99	18	18	6	6	118	106
4in	5.2	1.99	4.76	0.69	4.41	3.27	3.46	1.91	0.59	0.96	1.26	1.34	1.54	1.91	4.33	3.90	0.71	0.71	0.24	0.24	4.65	4.17
160mm	196	51	184	17.5	162	109	114	48.5	15	24.5	32	34	39	48.5	172	148	18	18	5.8	5.8	178	153
6in	7.72	1.99	7.84	0.69	6.38	4.29	4.49	1.91	0.59	0.96	1.26	1.34	1.54	1.91	6.77	5.83	0.71	0.71	.23	.23	7.01	6.02

Warning : Before use please consult our recommendation regarding selection and installation. Copies available on request.



**STEWARTS-USA, LLC**  
6786 Tipperary  
HOUSTON, TX 77061  
Phone: 713-643-1022  
Fax: 713-643-2855  
Toll Free: 1-800-901-1316

# Process Gauges Solid Front Safety Case

4.5" model **50S** or **50SV** (¼" NPT)  
4.5" model **51S** or **51SV** (½" NPT)



**DRY or VibraGauge® dampened movement  
VibraGauge® option eliminates need for liquid filling**  
Use **VibraGauge®** instead of liquid-filling for pulsation or vibration\*.

- \* AISI 316 Stainless Steel Stem and Socket.
- \* AISI 316 Stainless Bourdon Tube (C-Form 600 PSI and Below) (Spiral 600 PSI and Above)
- \* Threaded Fiberglass / Polycarbonate Bezel Ringing.
- \* Elastomer with Integral O-Ring Seal Compensation Diaphragm.
- \* Molded Fiberglass / Phenolic Safety Case, Turret Style.
- \* Polypropylene with Reinforced Fiberglass Blow-Out Back.
- \* White Aluminum Dial, Black Figures.
- \* Black Aluminum Pointer (Adjustable).
- \* Threaded Inlet Port, Restriction screw ready.

**ACCURACY**  
+/- 1/2 % of Full Scale (Grade 2A - ASME B40.1).

## LENS

Laminated Safety Glass (Will not craze or discolor; UV resistant, Shatterproof)

## MOUNTING TYPES

Bottom Connection only (High quality "Rolled" threads, helps prevent galling)

**RANGE SELECTION** (Inches of H2O ranges available, call factory)

Range Code	Range (psi)	Range Code	Range (psi)
V30	Vacuum 30" Hg - 0	200	0-200
R315	Receiver 3 - 15	300	0-300
C15	30" Hg - 0 - 15	400	0-400
C30	30" Hg - 0 - 30	600	0-600
C60	30" Hg - 0 - 60	800	0-800
C100	30" Hg - 0 - 100	1K	0-1,000
C160	30" Hg - 0 - 160	1500	0-1,500
C200	30" Hg - 0 - 200	2K	0-2,000
C300	30" Hg - 0 - 300	3K	0-3,000
15	0-15	5K	0-5,000
30	0-30	6K	0-6,000
60	0-60	10K	0-10,000
100	0-100	15K	0-15,000
160	0-160	20K	0-20,000

**DUAL-SCALE CODES:** (B = psi/Bar), (K = psi/kPa), (KCGM2 = psi/KgCm2)

**HIGH PRESSURE CONNECTION OPTION (required on 20K)**

**CODES:** 1/4" HPF (Female) = 1/4HPF or 9/16" MPM (Male) = 9/16MPM

**HOW TO ORDER BY PART NUMBER:**

1- Model # (50S, 51S-Dry or 50SV, 51SV=VibraGauge® Option)

2- Choose Pressure Range (code), (Single Scale Metric Available)

3- Option Code(s): (Dual-Scale ?) (Monel ? = M) (Glow Gauge ? = G)

**Note:** If VibraGauge® Option, S becomes SV (example: 51S is now 51SV)

1- Model	2- Range Code	3- Dual-Scale Code or Option Code(s)	Filling Type
51S	1K	None	N/A

\*VibraGauge® option dampens the effects of pulsation and vibration, without liquid !!

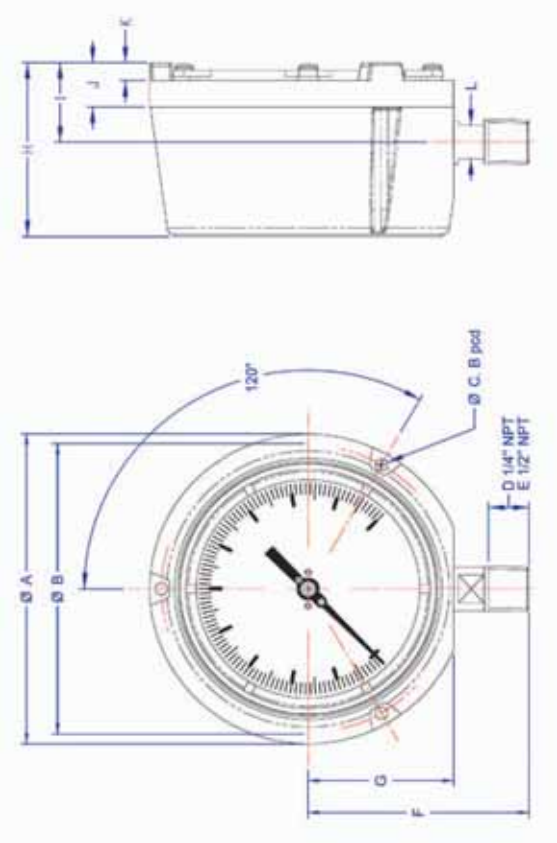
It is easier to read because there are no fill lines. Twice the life of dry gauges. No liquid = No leaks!

\*Safety Zone Glow Gauge Option: Luminescence Dial, Reflective Pointer, Green Reflective Operating Zone Tabs.

- Easily see if operating conditions have become abnormal. Great for low-light conditions.

# Process Gauges Solid Front Safety Case

4.5" model - **50S** (dry) or **50SV** (VibraGauge®) (¼" NPT)  
4.5" model - **51S** (dry) or **51SV** (VibraGauge®) (½" NPT)



Dims	A	B	C	D	E	F	G	H	I	J	K	L
Dia	148	137	6.5	16	21	103.25	68	83	38	21	8.5	16
mm	4,127	5,4	0,25	0,63	0,83	4,06	2,68	3,27	1,5	0,83	0,33	0,63
inch												

Before use, please consult ASME B40.1 regarding selection and installation of pressure gauges. Copies available from: The American Society of Mechanical Engineers, Three Park Avenue, New York, NY 10016-5999



**STEWARTS - USA**  
6786 Tipperary  
Houston, TX 77061 USA

(713) 643-1022

(713) 643-2855 FAX

(800) 901-1316 Toll Free

www.stewartsusa.com